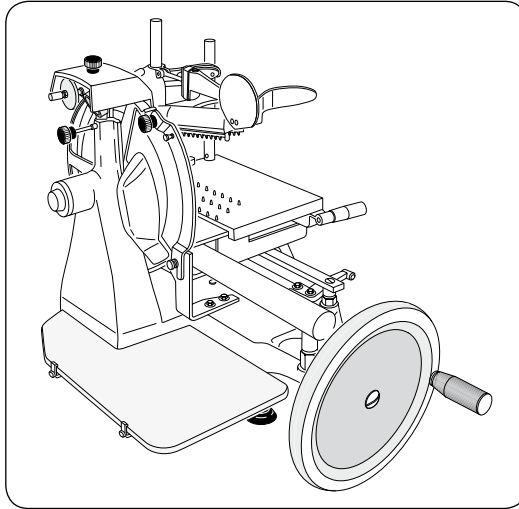




Fabbrica Affettatrici Cavaria



EN

Use and maintenance manual

EMGA

***403.250 - *403.300**

MADE IN ITALY

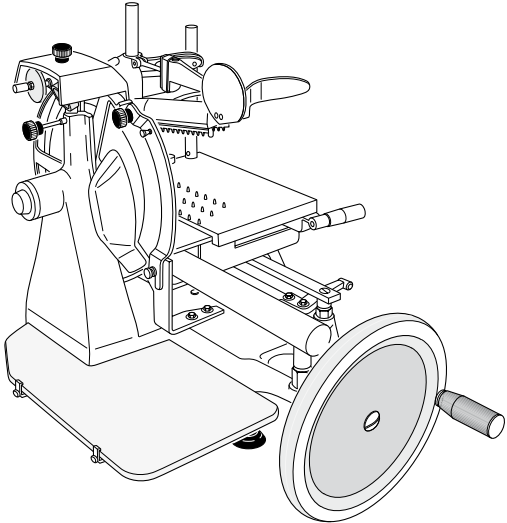


CONTENTS

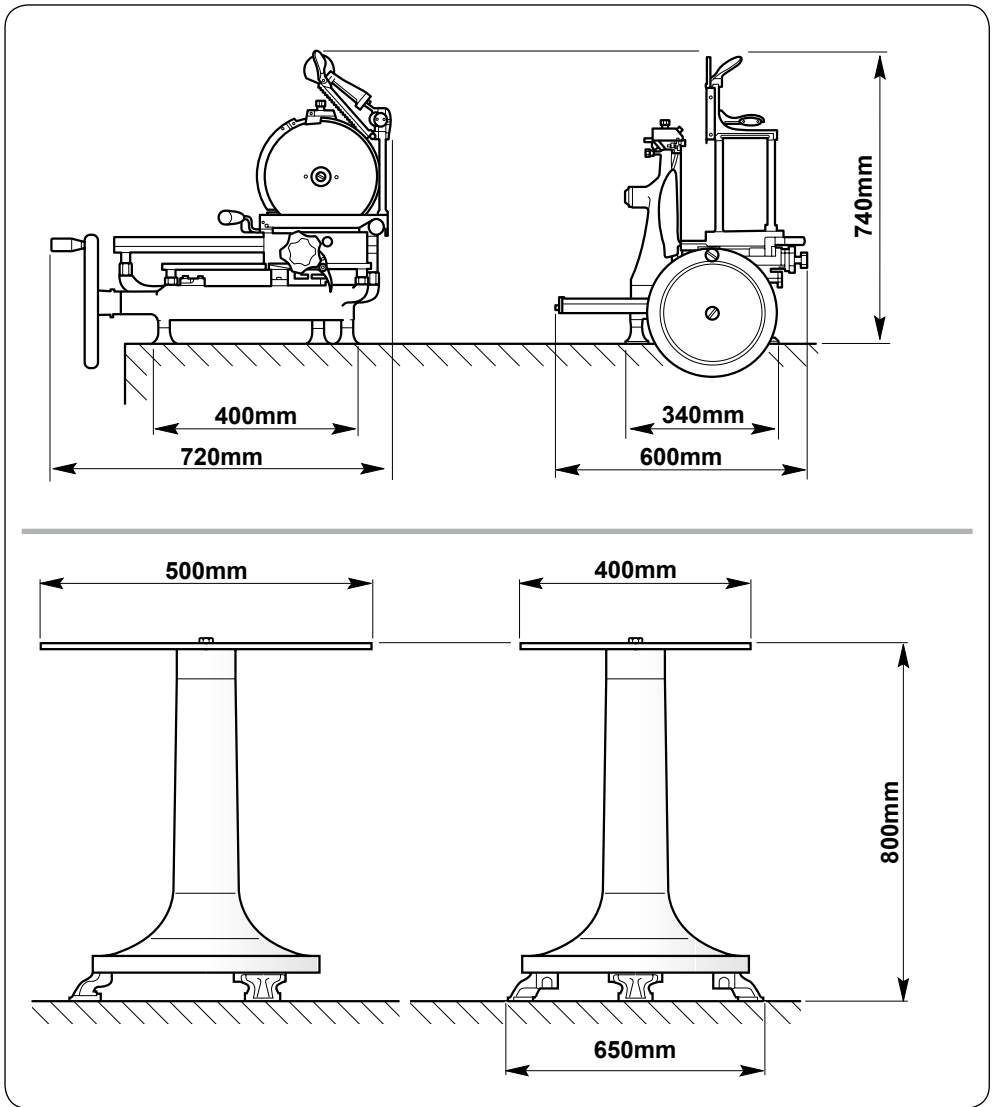
- TECHNICAL SPECIFICATIONS	page 3
<hr style="border-top: 1px dashed black;"/>	
- OVERALL SIZE	4
<hr style="border-top: 1px dashed black;"/>	
1.1 - PURPOSE OF USER GUIDE	5
1.2 - USER GUIDE CONSULTATION AND STORAGE	5
1.3 - USER WARNINGS	6
1.4 - USING THE SLICER CORRECTLY	7
1.5 - MANUFACTURER'S WARRANTY AND LIABILITY	8
1.6 - IDENTIFYING THE SLICER	8
1.7 - UNPACKING	9
<hr style="border-top: 1px dashed black;"/>	
2.1 - DESCRIPTION OF THE SLICER	10
<hr style="border-top: 1px dashed black;"/>	
3.1 - INSTALLING THE SLICER	12
3.2 - FITTING THE FLYWHEEL AND OPERATING HANDLE	13
3.3 - DESCRIPTION OF CONTROLS	15
<hr style="border-top: 1px dashed black;"/>	
4.1 - USING THE SLICER	17
4.2 - PLACING PRODUCT ON PRODUCT HOLDER	17
4.3 - SLICING THE PRODUCT	18
<hr style="border-top: 1px dashed black;"/>	
5.1 - CLEANING THE SLICER	21
5.2 - CLEANING THE BLADE	22
5.3 - CLEANING THE BLADE COVER	23
5.4 - CLEANING THE SLICE RECEIVING SURFACE	23
<hr style="border-top: 1px dashed black;"/>	
6.1 - ROUTINE MAINTENANCE	24
6.2 - OILING CARRIAGE GUIDE RAIL AND PRODUCT HOLDER AND LUBRICATION POINTS	25
6.3 - BLADE SHARPENING	27
6.4 - OILING CHAIN AND BEVEL GEAR	30
<hr style="border-top: 1px dashed black;"/>	
7.1 - TAKING THE SLICER OUT OF SERVICE	31
<hr style="border-top: 1px dashed black;"/>	
8.1 - TROUBLESHOOTING	32
<hr style="border-top: 1px dashed black;"/>	
- SPARES	33
<hr style="border-top: 1px dashed black;"/>	
- GUIDE TO THE TREATMENT OF WASTE EQUIPMENT	42

TECHNICAL SPECIFICATIONS

• Blade diameter	mm	300
• Slice thickness	mm	0 ÷ 2,5 (9 position)
• Effective slice		
- Length	mm	230
- Height.....	mm	190
• Product holder stroke	mm	250
• Weight		
- Slicer	kg	45,5
- Stand (optional).....	kg	57




OVERALL SIZE



1.1 - PURPOSE OF USER GUIDE


- This guide is an integral part of the machine and should be kept in a safe place for further consultation.
- This publication contains all information necessary for the installation use and maintenance of **F300 VO** flywheel slicers.
- The purpose of this use and maintenance guide is to enable the end user to use the slicer safely and guarantee its long-term reliability.


 **Carefully read the warnings contained herein as they provide important information regarding safe installation, use and maintenance.**

1.2 - USER GUIDE CONSULTATION AND STORAGE

 **Keep this guide in a safe place for further consultation.**

- This guide **MUST** be kept throughout the life of the slicer and if necessary (e.g. damage that prevents, even partially, its consultation, etc.) the user should ask the manufacturer for another copy.
- When transferring ownership of the slicer, please ensure the new owner receives this guide as well.

 *If you have any doubts regarding the contents of the user guide or require additional information, please contact the manufacturer or technical support immediately quoting the clause number of the topic in question.*

 **No part of this publication shall be reproduced or transmitted without written permission from the manufacturer.**




When ordering “Spares”, DO NOT consider the numbering utilised herein, but refer exclusively to the exploded drawing “Spares” (page 33).


1.3 - USER WARNINGS


- Check the slicer's mechanical integrity prior to every use.


Components should show no signs of damage or cracks.


If this is not the case, **DO NOT** use the slicer and take it to an authorised service centre so that the necessary checks can be performed.

 **The slicer is not designed for use by people (including children) with physical, sensory or mental difficulties unless supervised or trained by persons responsible for their safety.**

 **Children and young people should be supervised so that they do not play with the slicer.**


 **The blade is very sharp and should be handled with extreme care.**

 *Do not damage the blade by cutting hard objects such as bones.*


 *If the dimensions of the food to be sliced exceeds those specified under "Effective slice" in the table on page 3, reduce the size in order to work in safety.*

Safe use requires compliance with the following warnings:


- Install the machine in accordance with the instructions given under the heading "Installation".
- Install the machine in an area that cannot be accessed by people who will not be using it, especially children.

 **Use of the machine requires great concentration, PAY ATTENTION AT ALL TIMES!**


- Do not wear loose-fitting clothes particularly with open sleeves; where necessary use suitable headgear to cover hair.
- When slicing, do not allow anyone to approach the slicer, especially the blade.
- Do not remove, cover or alter the rating plates fitted to the machine body and ensure their prompt replacement in case of damage.

 **Do not remove safety devices and do not alter or remove mechanical guards.**

- Only approved product types should be sliced, do not attempt to slice products that are specifically excluded (see clause 1.4).
- Ensure that the product holder, receiving tray, surrounding areas and floor are kept clean and dry at all times.
- Do not use the slicer as a supporting surface or lay any object on it that is extraneous to normal slicing operations.
- Stop the machine immediately and request the assistance of authorised technical support staff in the event of malfunction, suspected breakage, improper movements, strange noises, etc.

 **Always use cut and tear-resistant gloves when performing cleaning and maintenance.**

- The product to be sliced should only be placed on and removed from the feed carriage when the latter is fully retracted (furthest away from the blade) and the carriage nearest the operator.

 **DO NOT use slicing accessories that have not been supplied by the slicer manufacturer.**



Please contact the manufacturer or an authorised service centre for all extraordinary maintenance operations (chain, blade replacement, etc.).

1.4 - USING THE SLICER CORRECTLY

- The slicer is only designed to slice food of the type and size specified herein.



The manufacturer shall accept no liability for improper use or use by staff who have failed to read and fully understand the contents of this manual; do-it-yourself alterations and/or repairs; use of spares that are non-original or not specifically designed for the slicer model covered by this user guide.

The following products may be sliced:

- All types of cold cuts (raw and cooked ham, bacon).
- Boneless meat (cooked or raw at a temperature of not less than +3°C).
- Bread and cheese (obviously the sliceable type such as Gruyère, Fontina, etc.).

The following products CANNOT be sliced as they are liable to cause serious harm to the user and/or slicer itself:

- Frozen food.
- Deep-frozen food.
- Food with bones (meat and fish).
- Any other type of product specifically excluded product is sliceable but not intended to be eaten.



Under no circumstances should you attempt to slice a specifically excluded product.

1.5 - MANUFACTURER'S WARRANTY AND LIABILITY

- The slicer described herein is covered by a warranty as specified in the enclosed certificate.
- The warranty guaranteeing that the slicer is of merchantable quality and fit for its intended purpose is subject to correct application of the provisions contained herein.

The manufacturer shall accept no direct or indirect liability arising from:

- Failure to comply with the instructions given herein.
- Use by staff who have failed to read and fully understand the contents of this manual.
- Use that fails to comply with specific current regulations in the country of installation.
- Alterations and/or repairs to the machine performed without prior authorisation.
- Use of accessories not supplied by the manufacturer and non-original spares.
- Force majeure/acts of God.



When transferring ownership of the slicer, failure to hand over this guide to the new owner shall automatically exempt the manufacturer from any liability.

- In the event of any dispute regarding the interpretation of this publication, exclusive reference shall be made to the original Italian text.

1.6 - IDENTIFYING THE SLICER

- The slicer mentioned in this instruction booklet is designed and manufactured according to current EU standards with the CE marking confirming such conformity.
In particular, the slicer complies with standard EN 1974 (for requirements deemed applicable).
- The rating plate is positioned on the base of the slicer as shown in fig.1.

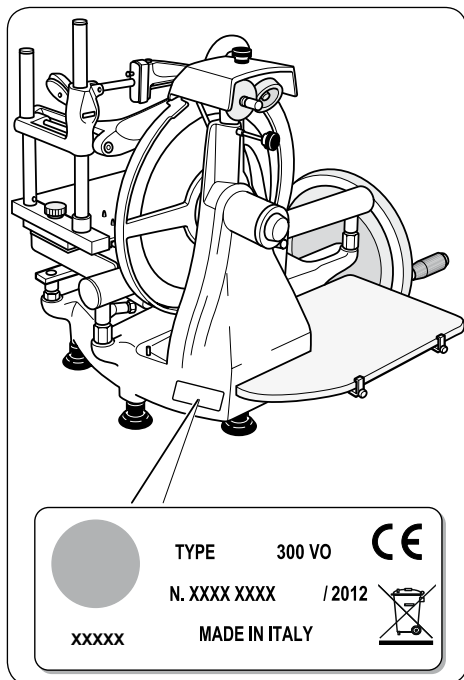


Fig. 1 - Rating plate



The rating plate should NOT be removed and should remain legible at all times.

In the event of damage or wear, the user has a duty to contact the slicer manufacturer and obtain a replacement.

1.7 - UNPACKING

- When taking delivery of the slicer, ensure that the packaging is fully intact; if this is not the case, please advise the courier or local dealer immediately.

In order to remove the slicer from the packaging, please proceed as follows:

- Cut and remove the plastic bands.
- Open the box and take out the instruction booklet.
- Proceed as described hereafter.
 - Remove the protective cardboard covers from inside the box.
 - Lift the machine with great care and place on a solid surface.
 - Remove the plastic bag in which the slicer is wrapped.
 - Check that all components specified in the delivery note and this instruction booklet are present and fully intact.

- Should any faults be noted, such as:
 - dents to the frame or guards;
 - controls that are either not working or broken;
 - missing items or other problems;
 please advise the courier, manufacturer and service centre immediately.
- Carefully dispose of packaging components (bands, cardboard, polystyrene, polythene bags, etc.).



Packaging components (bands, cardboard, polythene, etc.) can be treated as municipal solid waste and therefore disposed of without any problem.

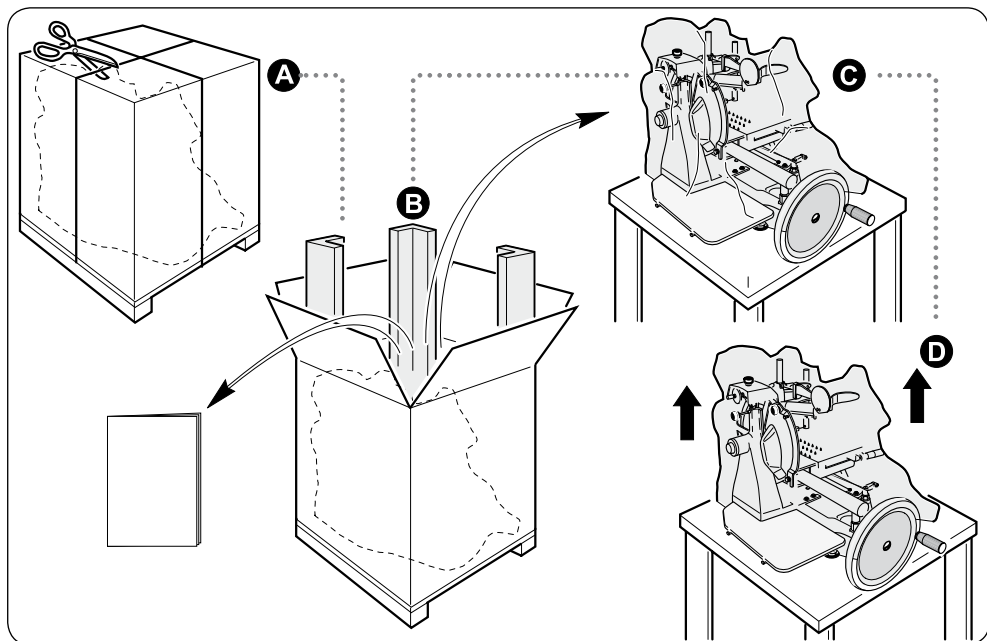


Fig. 2 - Removing the slicer from the packaging



In any event, it is preferable to sort products prior to disposal in accordance with current recycling regulations.



DO NOT DUMP PACKAGING!
DISPOSE OF WASTE RESPONSIBLY!

2.1 - DESCRIPTION OF THE SLICER

1. Slice receiving surface
2. Slice deflector
3. Pusher
4. Sliding product holder
5. Carriage
6. Flywheel operating handle
7. Flywheel
8. Base
9. Blade guard
10. Pusher vertical slide lever
11. Sliding product holder fast forward lever
12. Sliding product holder operating knob
13. Slice thickness control graduated knob
14. Blade cover
15. Supporting foot
16. Blade
17. Sharpener and cover
18. Grease collection pan
19. Blade drive chain
20. Bevel gear

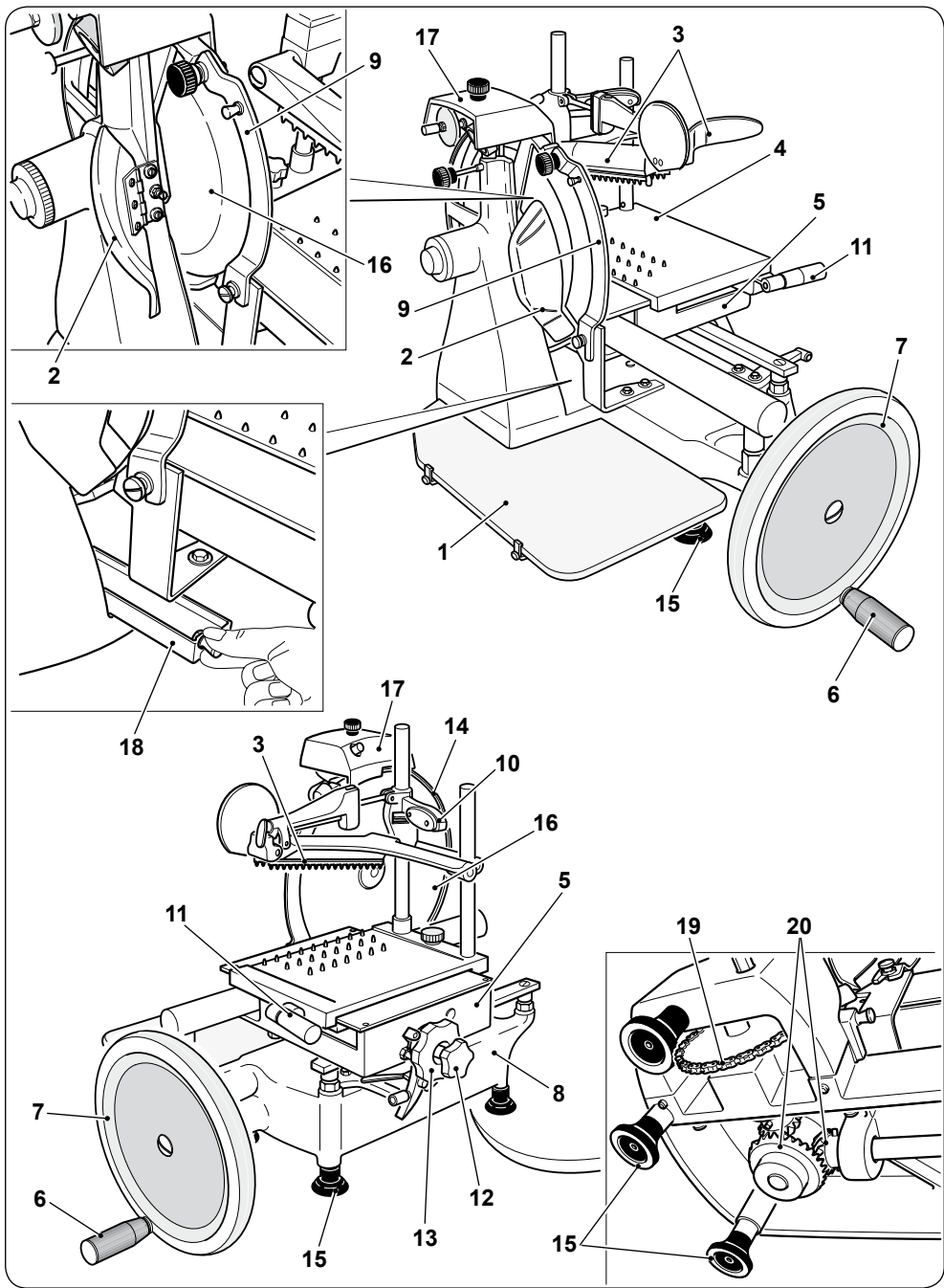


Fig.3 - Description of components

3.1 - INSTALLING THE SLICER

- Position the slicer in its allocated workplace.

Use of stand (optional) (fig. 4)

- If using the optional stand, this should be positioned on the floor whilst checking that it is level and that all three feet are resting correctly on the ground.
- Carefully lift the slicer and position on the stand.

! Ensure that all slicer feet are resting correctly on top of the stand.

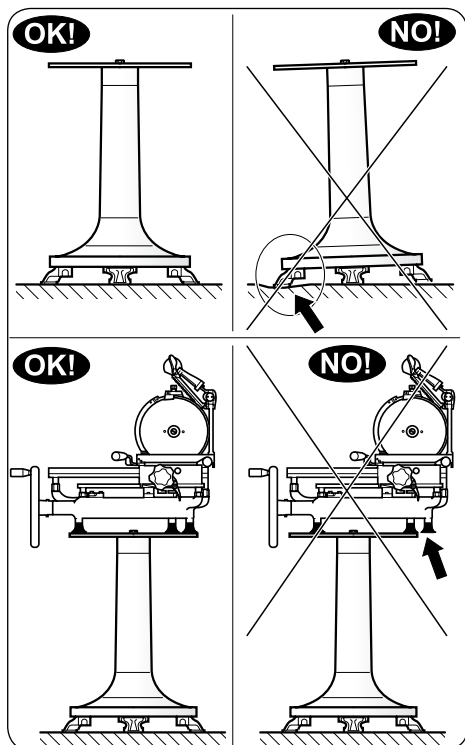


Fig. 4 - Use of "stand"

Positioning the slicer (fig. 5)

- If not using the optional stand, carefully lift the slicer and position on a level surface (fig. 5) that is dry and capable of supporting the weight of both the slicer and the product to be sliced (see "Technical specifications").



Ensure that there are no obstructions to the movement of the flywheel, carriage stroke and loading of the product to be sliced.



Ensure that all slicer feet are resting correctly on the work surface.

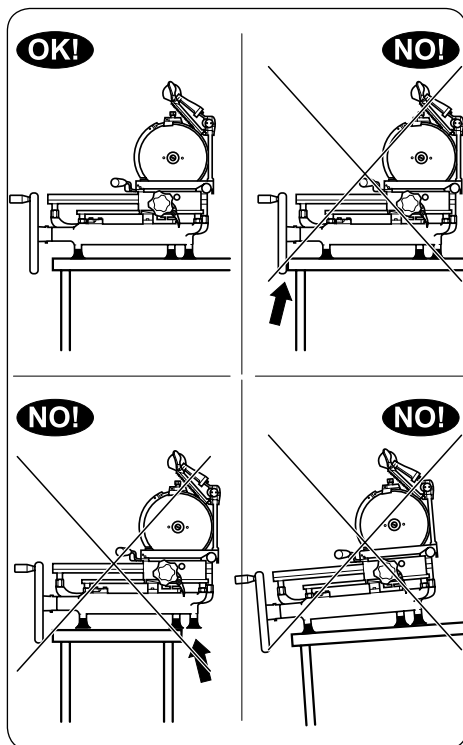


Fig. 5 - Positioning the slicer

3.2 - FITTING THE FLYWHEEL AND OPERATING HANDLE

In order to facilitate transport, the operating handle (6) is delivered unattached to the slicer, whilst the flywheel (7) may also be removed in order to facilitate transport and/or packing. In order to fit components, please proceed as follows:

- Move the carriage (5) as near to the operator as possible.

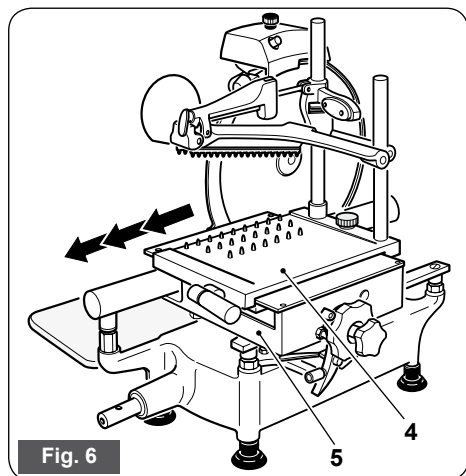


Fig. 6

- Remove the taper pin (30) from the flywheel shaft (31).

⚠ Use a hammer to hit the taper pin (30) on its smaller diameter.

- Fit the shim (32) to the flywheel shaft (31).

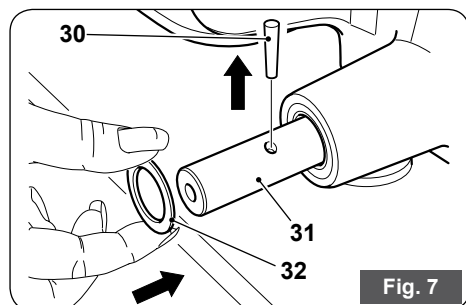


Fig. 7

- Insert the flywheel (7) so that the operating handle (6) fixing hole (x) is positioned above and to the left of the axis of the taper pin hole (fig. 8).



Check that flywheel and shaft holes are correctly aligned.

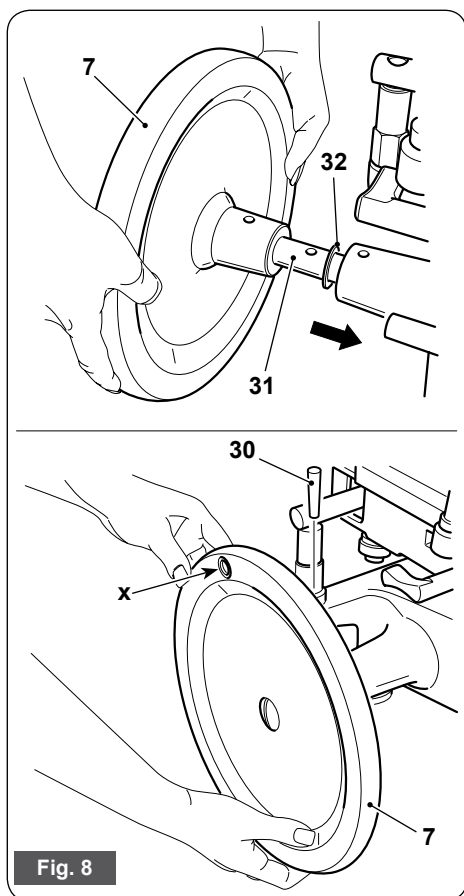
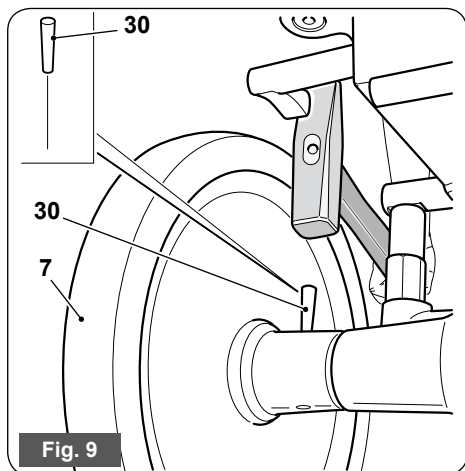


Fig. 8

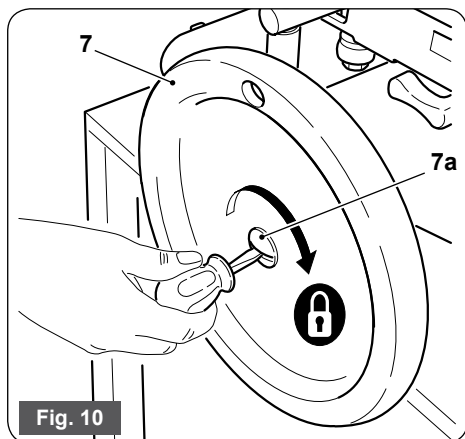
- Insert the taper pin (30) in the hole of the sleeve

>>>>

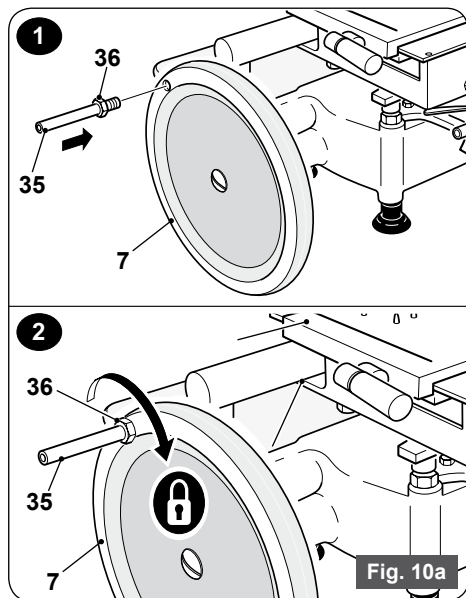
- Use a hammer to insert the taper pin (30) **fully**.



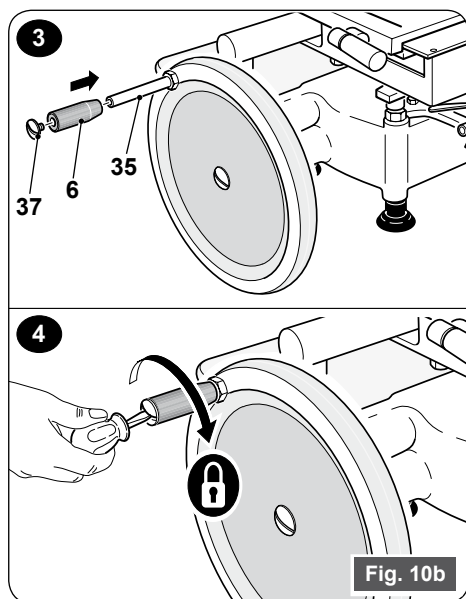
- Tighten the screw (7a).



- Screw pin (35) complete with nut (36) onto flywheel (7); tighten nut (36).



- Insert handle (6) in pin (35) and tighten screw (37).



3.3 - DESCRIPTION OF CONTROLS

Flywheel

Clockwise rotation of the flywheel (7) using the handle (6) will move the carriage (5) with product holder (4), whilst at the same time turning the blade (16).

Slice thickness control knob

Turn the knob (13) clockwise in order to obtain a thicker slice or anticlockwise for a thinner one.

The knob (13) has a graduated scale ranging from "1" to "9" (thickness 2,5 mm).

Sliding product holder operating knob

The knob (12) allows you move the product holder (4) towards or away from the blade (16).

It can also be used to make slight movements of the product holder (4).

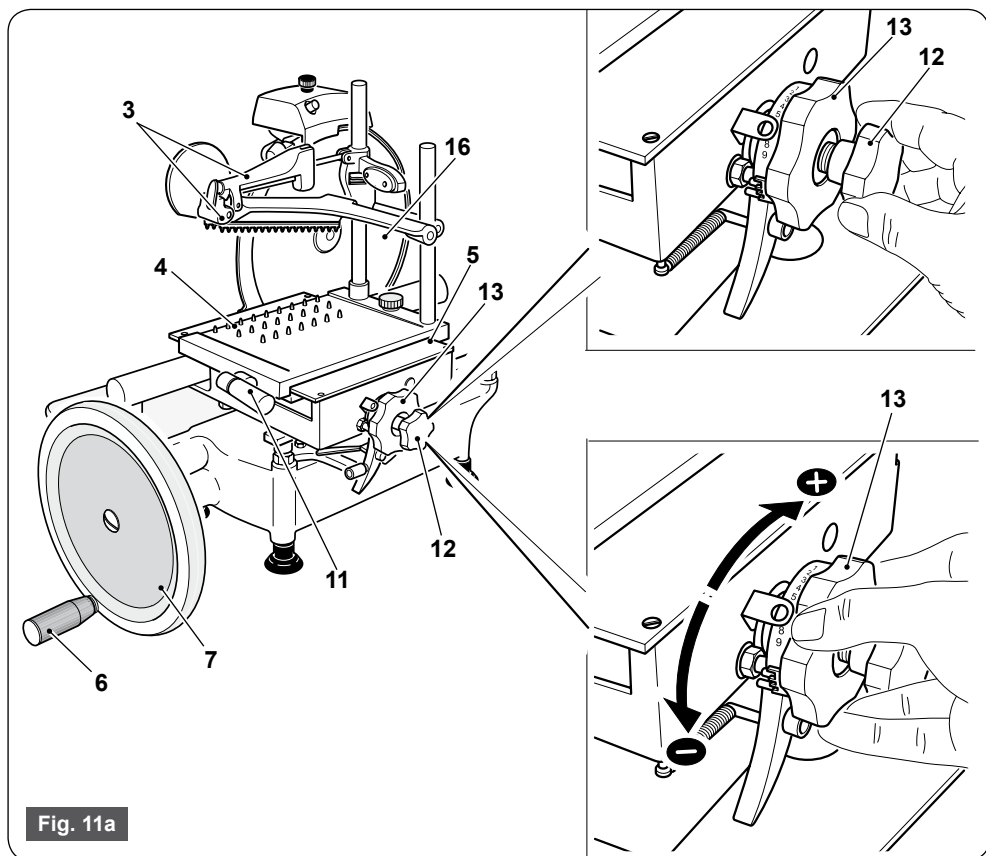


Fig. 11a

Fig. 11a - Controls

Sliding product holder fast forward lever

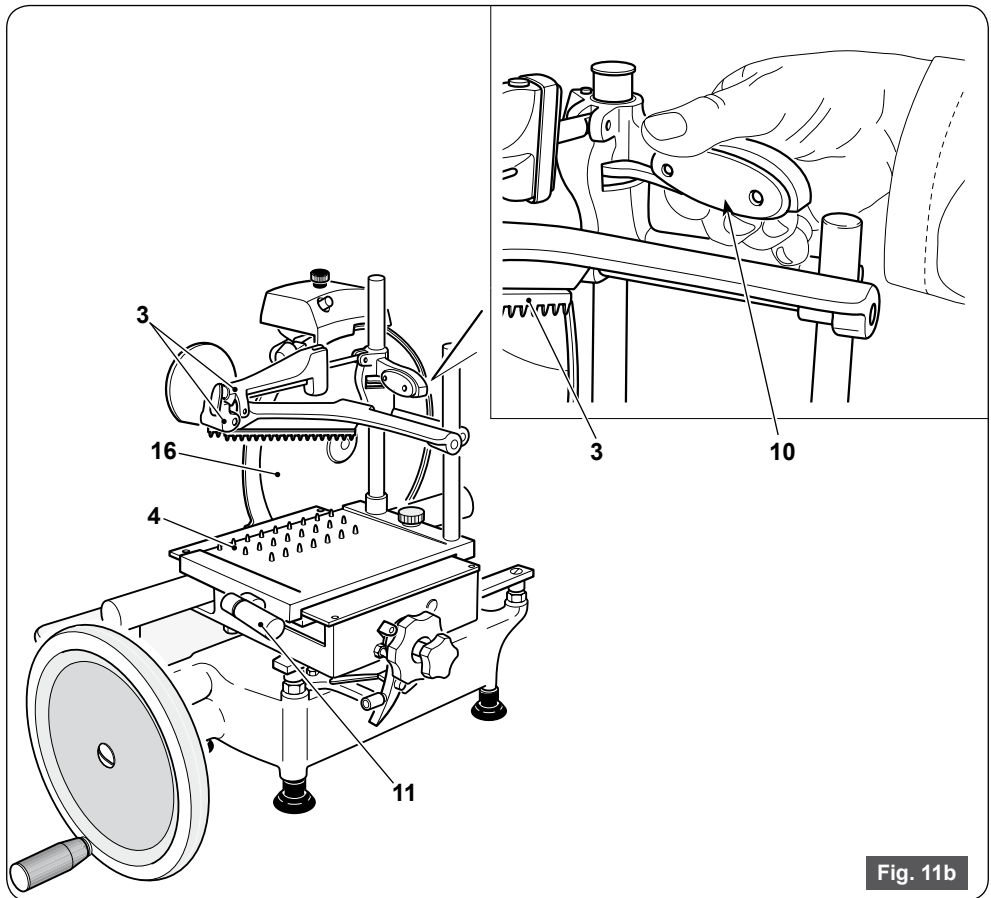
By lowering and holding in position the lever (11) you can quickly move the product holder (4) towards or away from the blade (16) (with product).



The operation is quicker than when using the knob (12).

Pusher vertical slide lever

By keeping pressed the lever (10) you can quickly raise or lower the pusher (3).

**Fig. 11b****Fig. 11b - Controls**

4.1 - USING THE SLICER

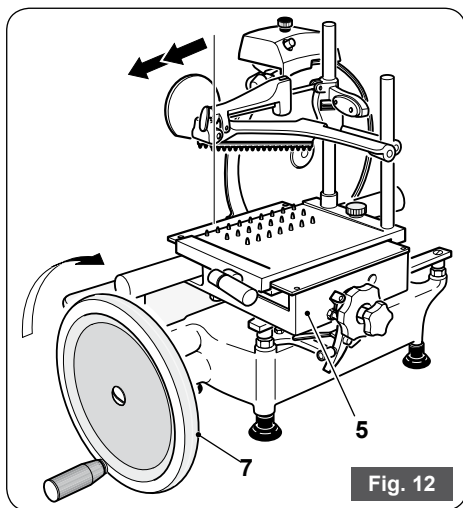
⚠ WARNING:

- **DO NOT** use the slicer if not fully physically and mentally fit.
- **DO NOT** allow anyone to come near to the slicer whilst you are using it.
- **Be extremely careful whilst loading/unloading the product from the product holder and whilst actually slicing.**

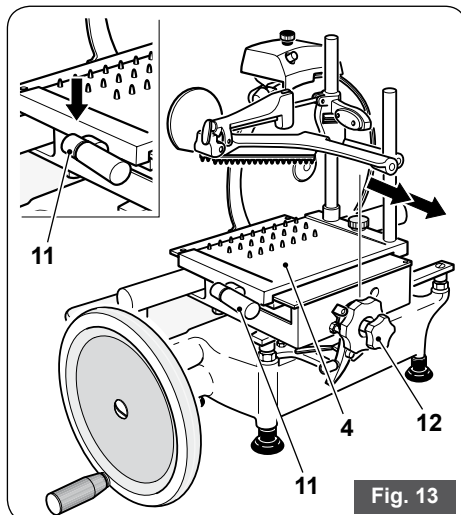
PAY ATTENTION AT ALL TIMES!

4.2 - PLACING PRODUCT ON PRODUCT HOLDER

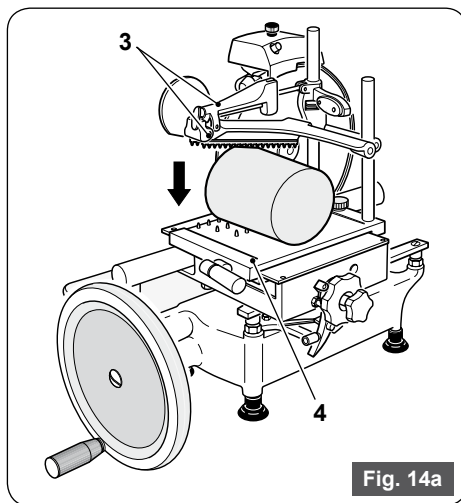
- Turn the flywheel (7) in order to move the carriage (5) to its forward limit (towards the operator).




- Move the product holder (4) away as far as its limit of travel (furthest from the blade) using either the knob (12) or the fast forward lever (11).

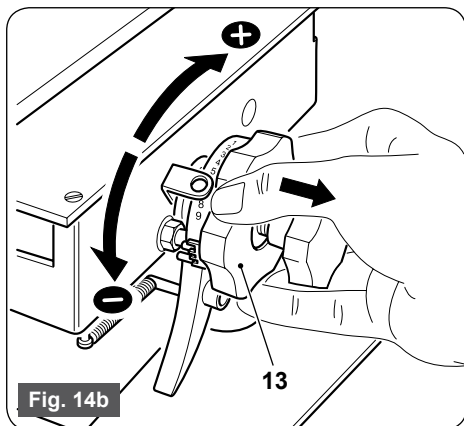


- Position the product to be sliced on the product holder (4) and hold in place with the pusher (3) (so that it can't move), whilst adjusting the height.




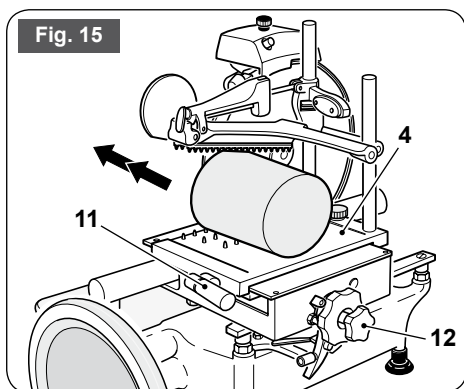
 Failure to hold the product firmly in place on the product holder could cause the machine to cut uneven slices.

- Turn the knob (13) in order to set the required slice thickness.




- Bring the product holder (4) (with the product) back from its limit of travel (towards the blade) using either the knob (12) or the fast forward lever (11).

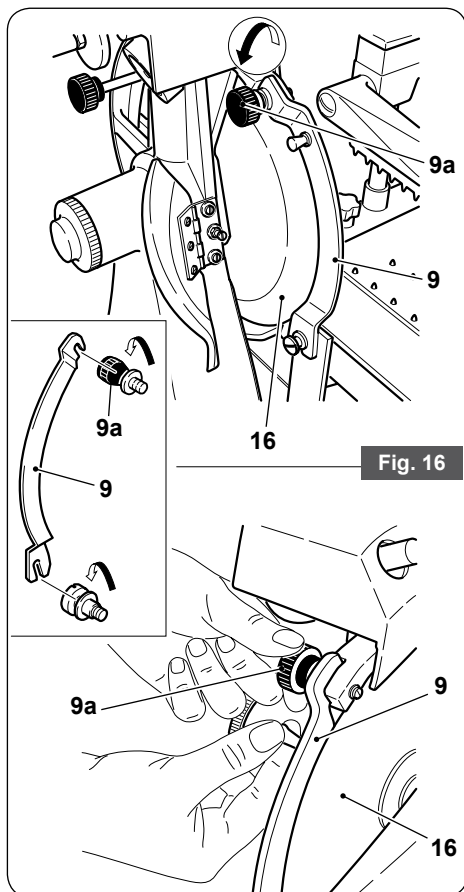
 Draw the product holder (4) closer to the blade so as to leave a space between the product to be sliced and the blade of between 0.5 cm and 1.0 cm.



4.3 - SLICING THE PRODUCT

- Move the blade guard (9) to the left by loosening the knob (9a).

 **WARNING:**
Exercise great caution if the blade guard (9) is not fitted; the blade (16) is extremely sharp.



- Hold the handle (6) and turn the flywheel (7) clockwise in order to begin blade rotation and the alternating movement of the product holder (4) (fig. 17).

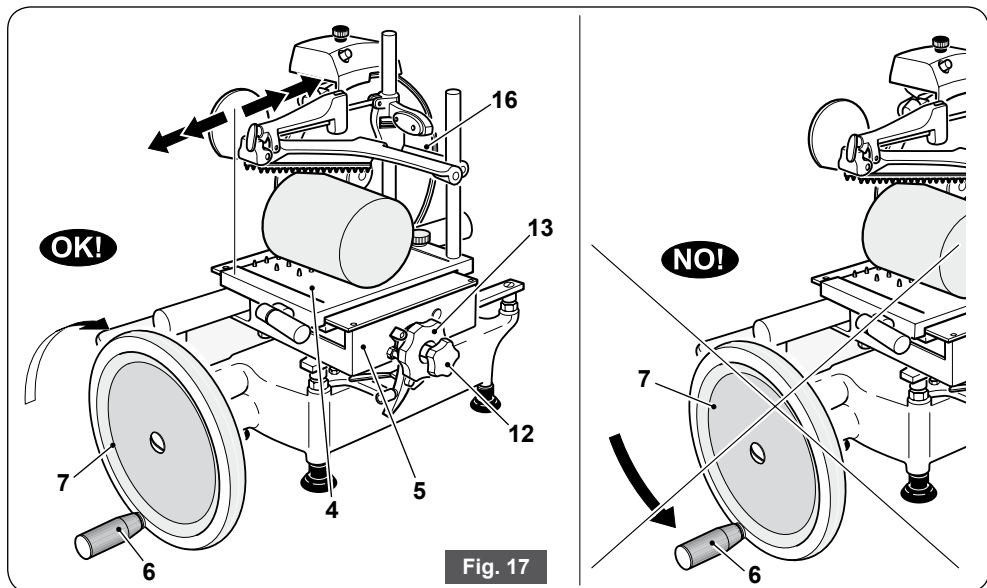


Fig. 17

⚠ DO NOT turn the flywheel (7) anticlockwise. Serious damage to the slicer could be caused.

- You will need to turn the flywheel (7) 4/5 times before the product touches the blade (16).
- Whilst the carriage (5) moves forward (away from the operator), the blade (16) enters the product. Guided by the deflector (2), the slice is detached and drops onto the slice receiving surface (1).
- As the carriage (5) returns (towards the operator), a mechanical device is operated that moves the product holder (4) sideways towards the blade (16). The amount of sideways movement is set by using the slice thickness control knob (13).

- You should stop turning the flywheel (7) once the operation is complete; the blade will halt its movement (16).
- Move the product holder (4) (with the remaining product) away from the blade (16) using either the knob (12) or the fast forward lever (11).

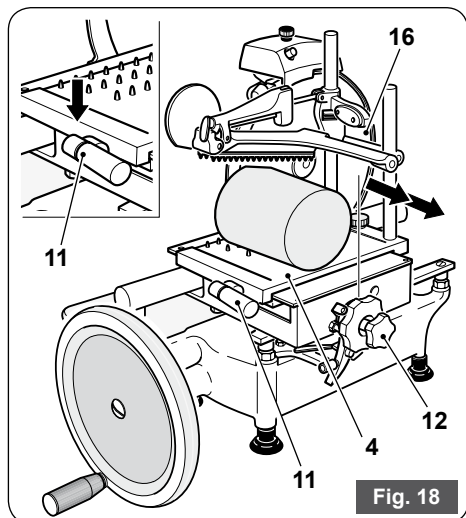


Fig. 18

- Reposition the blade guard (9) by tightening the knob (9a) (fig. 19).



WARNING:

Do not leave the slicer without the blade guard (9) in the correct position.

Cutting hazard!

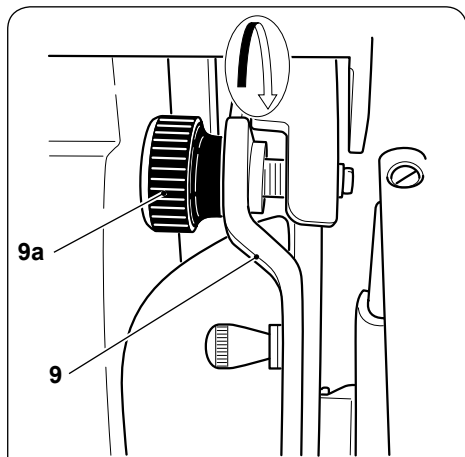
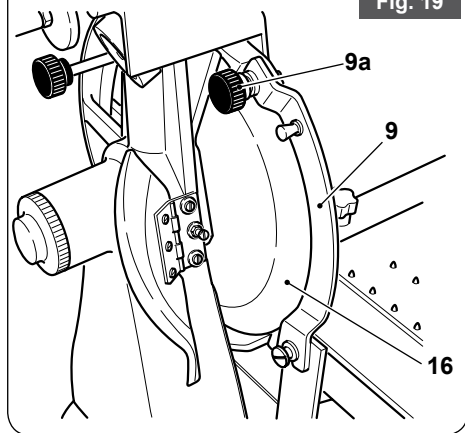


Fig. 19



- Press the lever (10) and lift the pusher (3).
- Remove the product from the table (4).

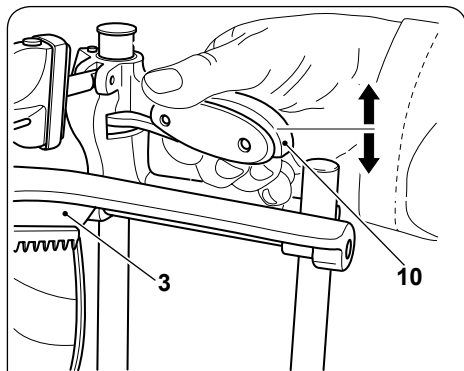
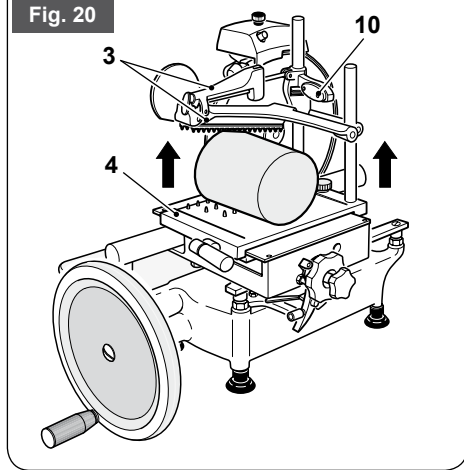




Fig. 20



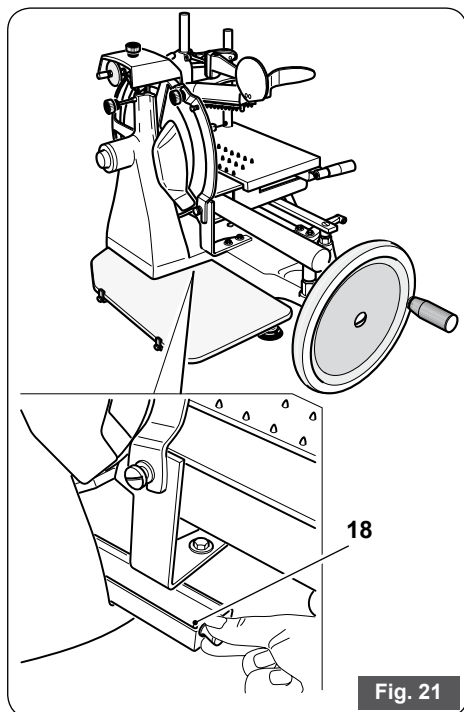
- Clean the slicer as described in the relevant section.

5.1 - CLEANING THE SLICER

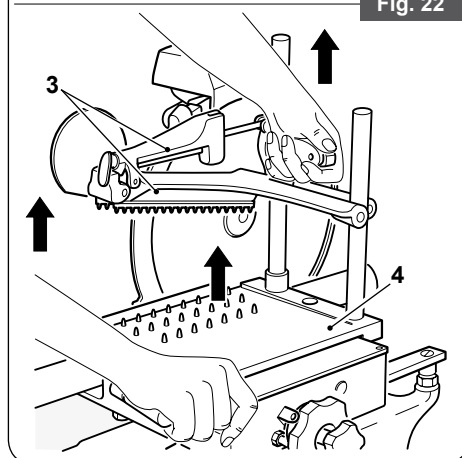
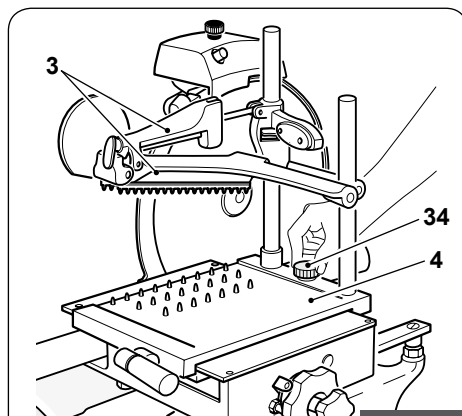
 The slicer **SHOULD** be cleaned thoroughly at least once a day and more frequently where necessary. Clean the slicer before use if it has been out of service for some time.

 **WARNING:**
Cutting hazard!
 Use protective cut- and tear-resistant gloves and perform all operations with extreme care.
PAY ATTENTION AT ALL TIMES!

- Remove the receiving tray (18).



- Unscrew knob (34) and lift the sliding product holder (4) complete with pusher arm (3).



- Clean all dismantled parts and the machine body just hot water (at a temperature of not less than 30°C) and a frothy biodegradable dishwasher detergent. Use a soft spongy cloth and, if necessary, a nylon brush for the spiked areas of the product holder (4) and pusher (3).

- Rinse in hot water only and dry with soft spongy cloths.



WARNING:
DO NOT clean the machine with water jets, steam or similar methods or in dishwashers using corrosive detergents.



*The base (8) and painted parts can be cleaned with a soft cloth **avoiding the use of abrasive detergents.***

- Reposition the product holder (4) on the carriage (5).

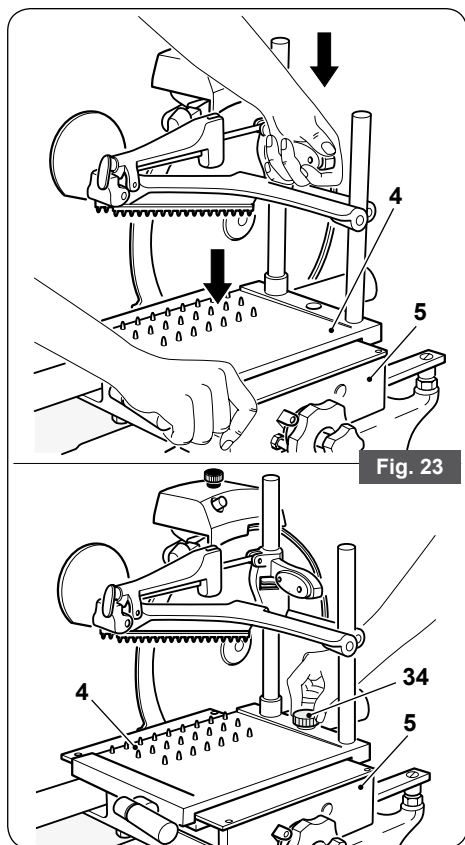


Fig. 23

- Secure the product holder (4) to the carriage (5) by tightening the knob (34).

5.2 - CLEANING THE BLADE



WARNING:
Cutting hazard! Use protective cut- and tear-resistant gloves and perform all operations with extreme care. **PAY ATTENTION AT ALL TIMES!**

- Press a damp cloth on the blade (16) and rub slowly **moving from inside to out.**



WARNING:
ALWAYS clean the knife (16) with the blade guard (9) fitted behind it in the safety position.

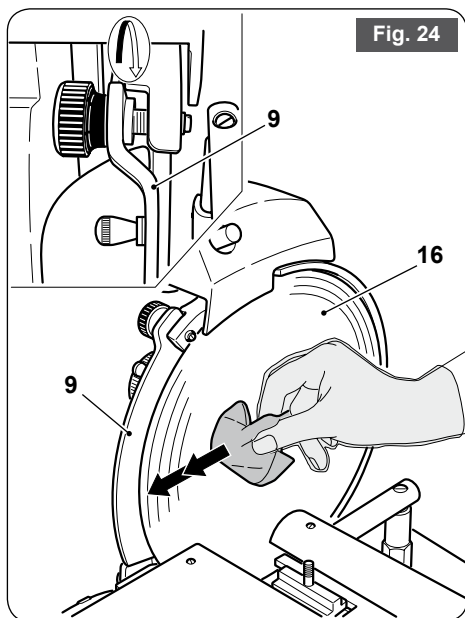
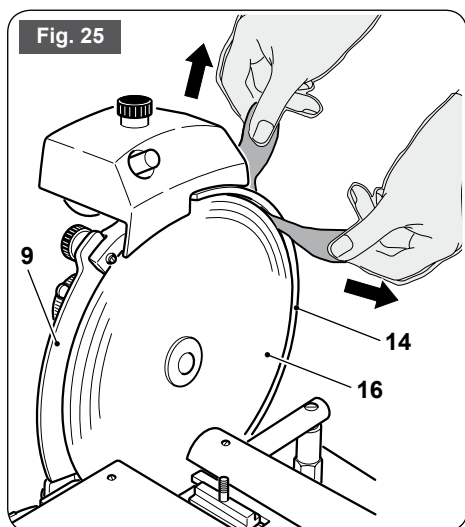


Fig. 24

5.3 - CLEANING THE BLADE COVER

⚠ WARNING:
Cutting hazard! Use protective cut- and tear-resistant gloves and perform all operations with extreme care. PAY ATTENTION AT ALL TIMES!

- Damp a cloth in a solution of water and alcohol.
- Place the damp cloth between the blade cover (14) and blade (16).
- Take the two ends of the cloth between your hands and slide it along the blade cover (14).

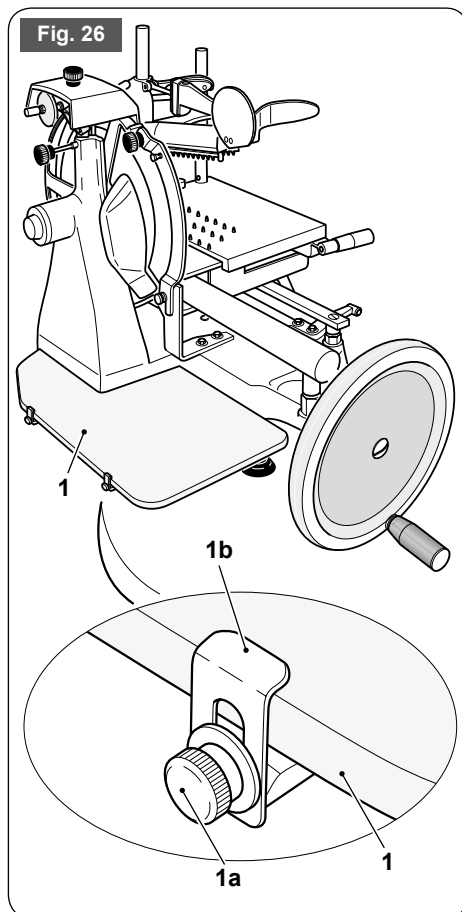


⚠ WARNING:
ALWAYS clean the knife (16) with the blade guard (9) fitted.

⚠ Do not use detergents to clean the blade (16).

5.4 - CLEANING THE SLICE RECEIVING SURFACE

- Remove the slice receiving surface (1) by loosening the two screws (1a) and releasing from the retaining clips (1b).
- Wash the tray with water and normal dishwasher detergent).



6.1 - ROUTINE MAINTENANCE

In addition to the above-mentioned cleaning operations, you should also perform routine maintenance in order to guarantee the slicer's operating efficiency over time.

The operator may perform the following maintenance operations:

- **Oiling carriage guide rail (5) and product holder (4) and lubrication points.**

- Frequency: Weekly.
(see clause 6.2)

- **Oiling chain (19) and bevel gear (20).**

- Frequency: Every 6 months.
(see clause 6.4)

- **Blade sharpening**

Sharpen the blade (16) periodically or at least once every 6 months as described in 6.3.



How often sharpening is necessary and how long it lasts depend on the type of use to which the slicer is put (operating times and processed product).


Being particularly complicated and hazardous for the operator, other maintenance operations **SHOULD** only be performed by staff from an authorised service centre.

These operations are:

- Blade replacement.
- Sharpener grinding wheel replacement.
- Chain replacement.
- Repair of structural parts, repair and/or replacement of components located beneath the base.

6.2 - OILING CARRIAGE GUIDE RAIL AND PRODUCT HOLDER AND LUBRICATION POINTS

- Every week you should oil the carriage (5) and product holder (4) guide rails (36) using the supplied lubricant.
- Also oil the points indicated in figure 27.

 *If you run out of the supplied lubricant, use white Vaseline oil.*

 **Do not use vegetable oil.**

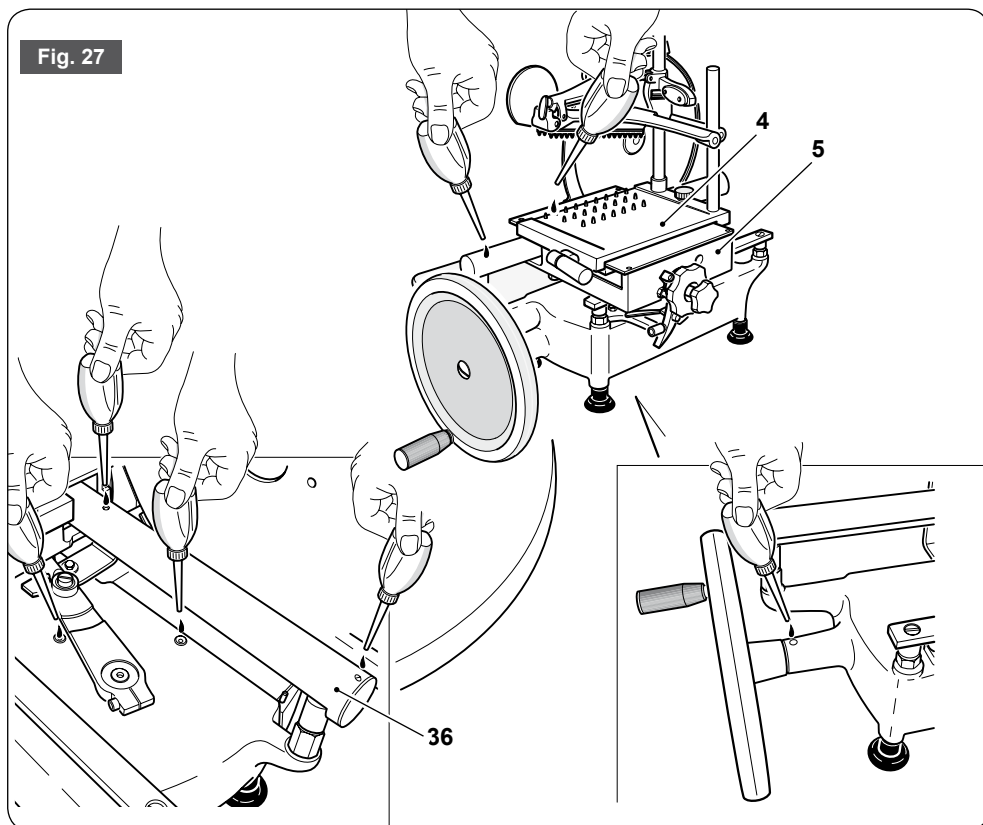
- Apply a few drops of lubricant (maximum 3 or 4) to the guide rails and slide the assemblies back and forth 3/4 times.
- Apply 2/3 drops of lubricant to the lubrication points.

 *Use the lubricant sparingly.*

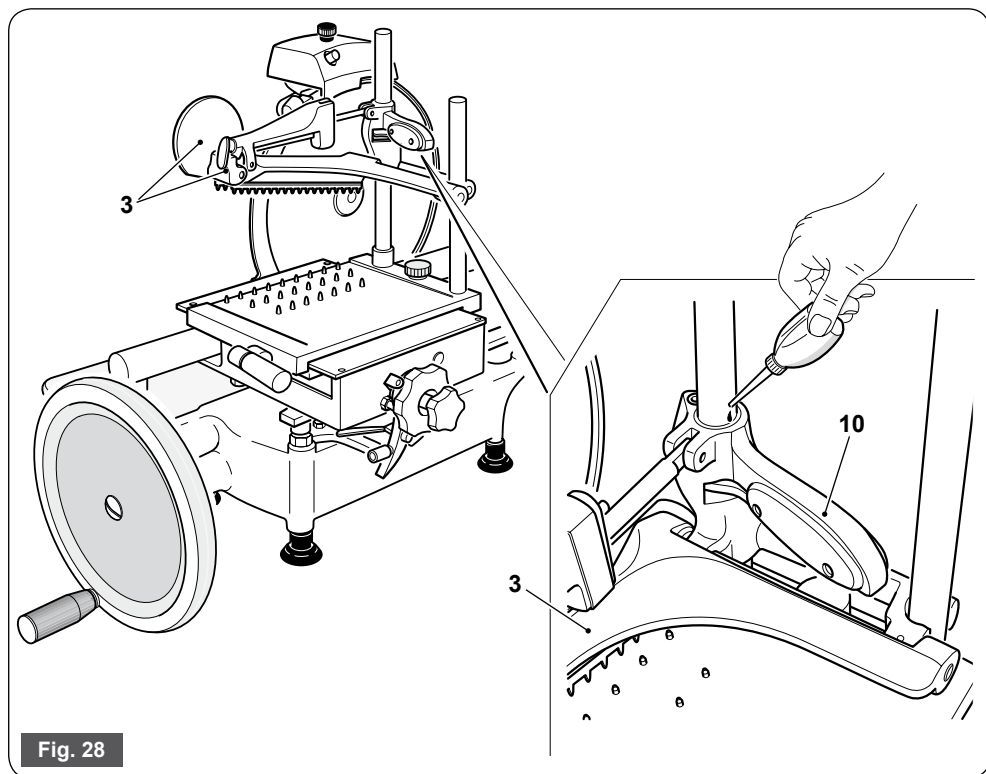
- Wipe excess lubricant with a paper towel.

>>>>

Fig. 27



- Also oil the catch (10) of the pusher's (3) vertically sliding lever.
 - Apply 2/3 drops of lubricant.
- Slide the pusher (3) back and forth 3/4 times.
 - Wipe excess lubricant with a paper towel.



6.3 - BLADE SHARPENING

⚠ WARNING:
Cutting hazard!
 Use protective cut- and tear-resistant gloves and perform all operations with extreme care.
PAY ATTENTION AT ALL TIMES!

⚠ WARNING:
ALWAYS work with the blade guard (9) fitted.

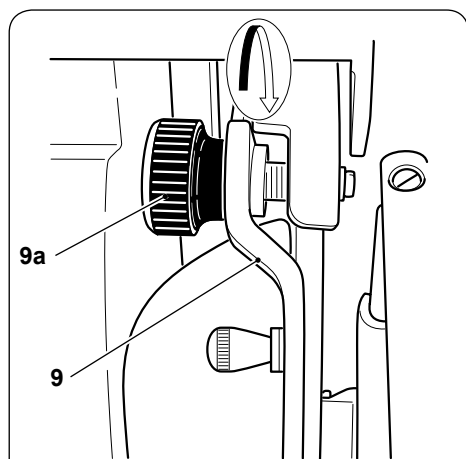
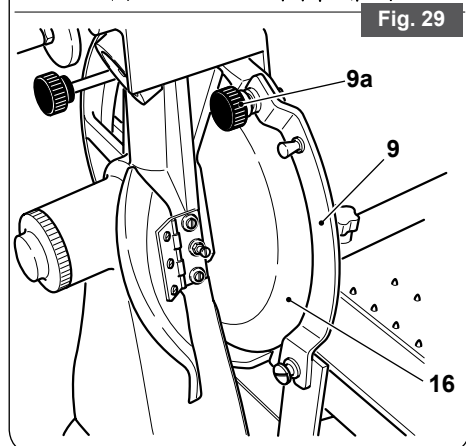


Fig. 29



Proceed as follows:

- Move the product holder (4) away from its limit of travel (furthest from the blade) using either the knob (12) or the fast forward lever (11).

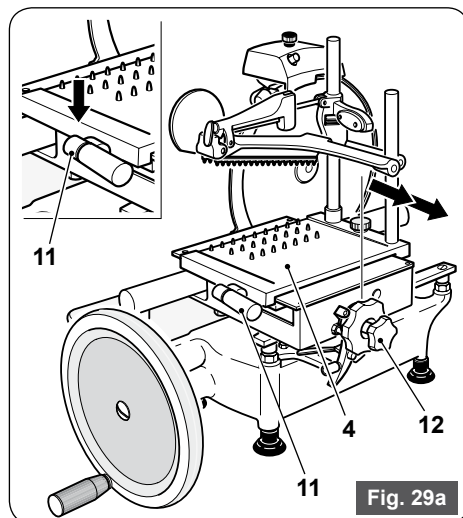


Fig. 29a

- Set the slice thickness control knob to "0" (fig. 30).

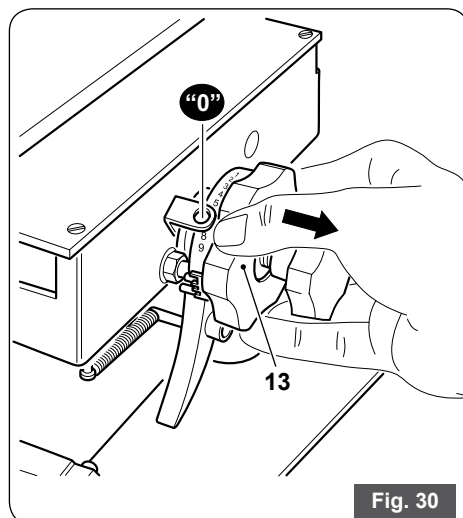
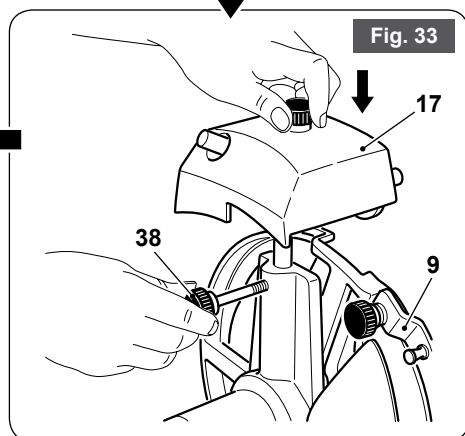
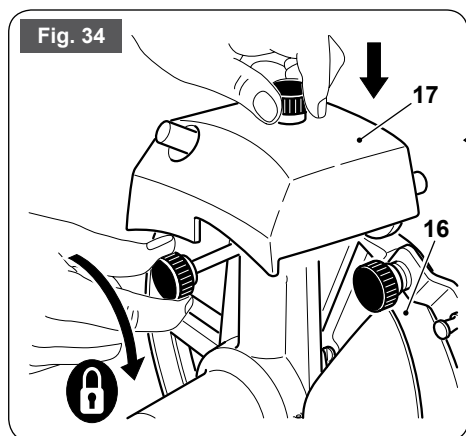
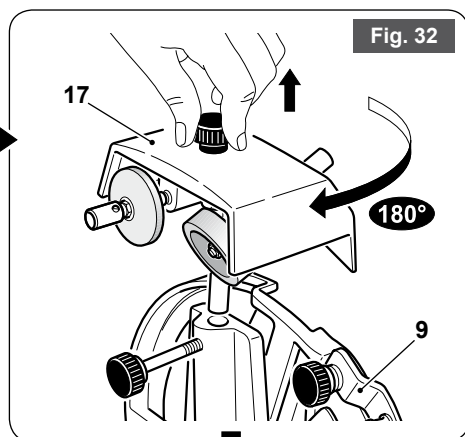
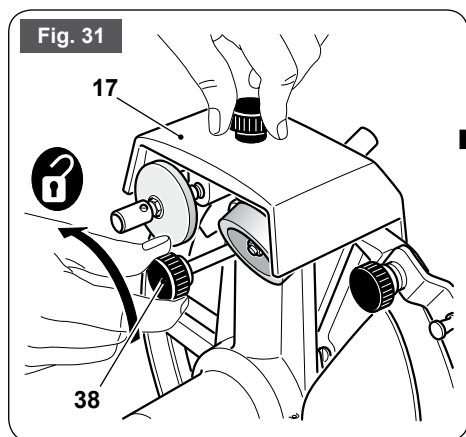


Fig. 30

- Loosen the knob (38) holding the sharpener (17) in place (fig. 31).
- Lift the sharpener (17) and turn 180° (fig. 32).
- Carefully lower the sharpener (17) again, the blade (16) will automatically be centred between the two grinding wheels (fig. 33).
- Tighten the knob (38) (fig. 34).

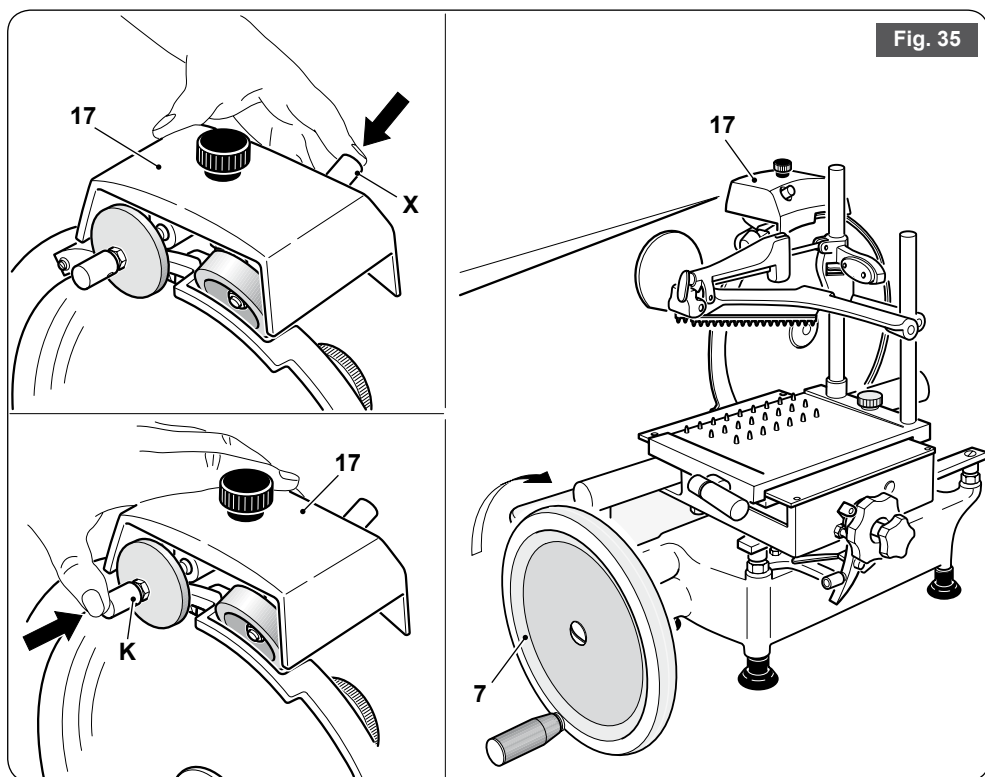


- Turn the flywheel (7) whilst pressing the “X” button and perform about 20/30 blade revolutions.
- Stop rotation and use a pencil to check that a slight burr has formed on the blade edge.
- Turn the flywheel (7) again whilst pressing the “K” button and perform 1 or 2 blade revolutions.



For safety reasons do not exceed 1 or 2 blade revolutions in order to prevent the blade edge from springing back.

- Return the sharpener to its original position.



6.4 - OILING CHAIN AND BEVEL GEAR

Every 6 months proceed as follows:

- Lift the slicer and apply 3/4 drops of the supplied lubricant to the chain (19) and gears (20).



If you run out of the supplied lubricant, use white Vaseline oil.

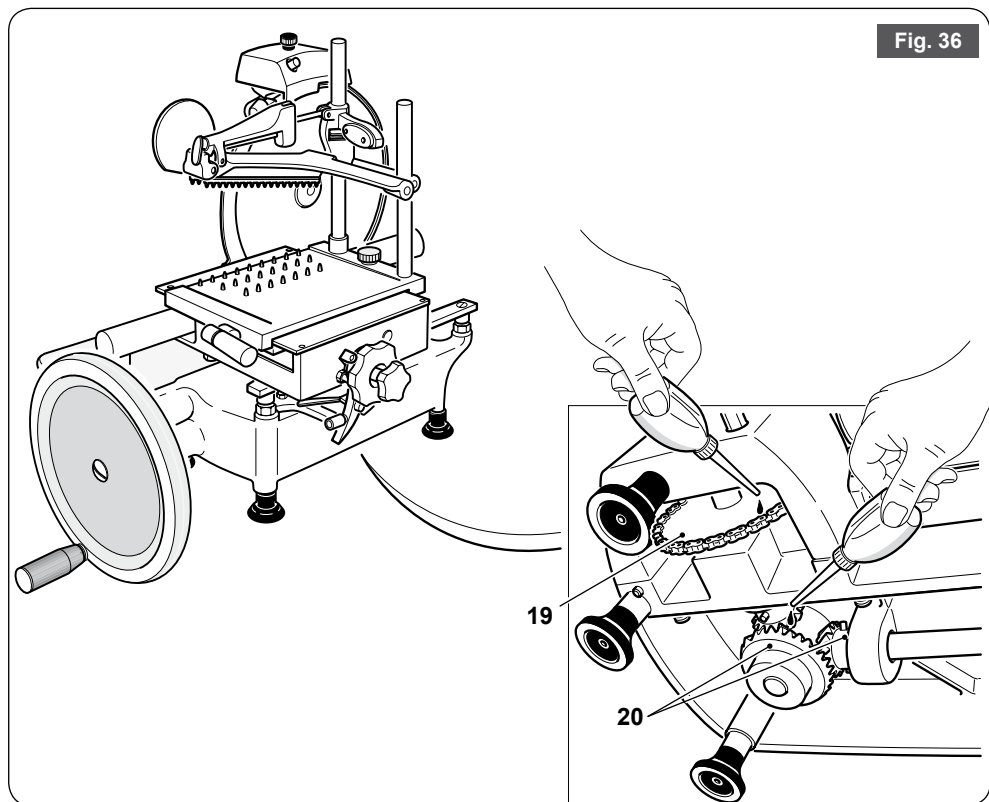


Do not use vegetable oil.



Use the lubricant sparingly.

- Wipe excess lubricant with a paper towel.



7.1 - TAKING THE SLICER OUT OF SERVICE

A machine comprises:

- Aluminium-alloy frame.
- Stainless-steel inserts and components.
- Plastics, etc.

When commissioning third parties to perform dismantling and demolition, only businesses authorised to dispose of these materials should be employed.

When demolishing without outside assistance, sort the various types of material and hand over to authorised businesses for disposal.



ALWAYS comply with the current legislation of the country in which the slicer is utilised.



WARNING:

ALWAYS consult the manufacturer or authorised service staff as regards removal and disposal of the blade (16) so that this can take place in complete safety.



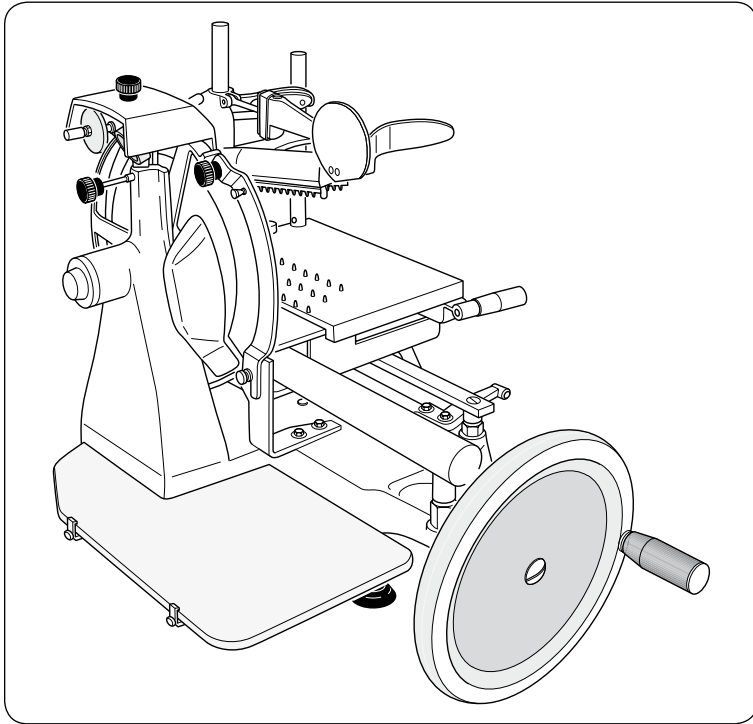
DO NOT DUMP SCRAP COMPONENTS AS THEY REPRESENT A SERIOUS PERSONAL HAZARD, PARTICULARLY FOR CHILDREN AND ANIMALS.



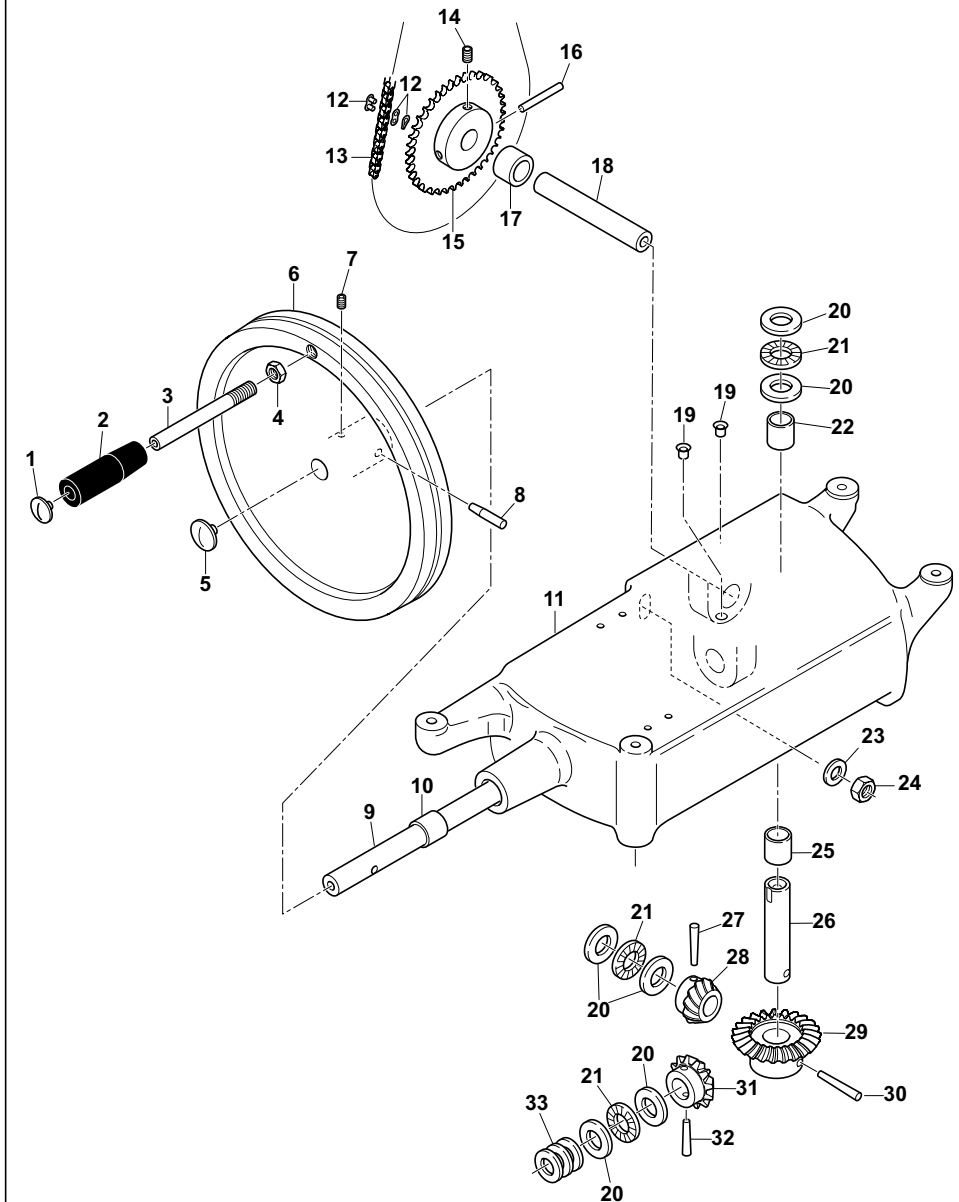
Please consult the section "Guide to the treatment of waste equipment" at the end of this booklet.

8.1 - TROUBLESHOOTING

PROBLEM	PROBABLE CAUSE	SOLUTION
<ul style="list-style-type: none"> Difficulty in slicing; excessive resistance when the product is in contact with the blade. 	<ul style="list-style-type: none"> The blade is blunt. Product is overly mature or too dry. Slicing begins with product in contact with the blade. 	<ul style="list-style-type: none"> Sharpen the blade. Tenderise product before slicing. Turn the flywheel 4/5 times before the product touches the blade.
<ul style="list-style-type: none"> Slices are of irregular thickness. 	<ul style="list-style-type: none"> The pusher fails to retain the product correctly. The blade is blunt. 	<ul style="list-style-type: none"> Reposition the pusher in order to retain the product correctly. Sharpen the blade.
<ul style="list-style-type: none"> Slices come out as "doorsteps". 	<ul style="list-style-type: none"> The pusher fails to retain the product correctly. The blade is blunt. 	<ul style="list-style-type: none"> Reposition the pusher in order to retain the product correctly. Sharpen the blade.
<ul style="list-style-type: none"> Slices are empty in the middle. 	<ul style="list-style-type: none"> The product is too soft (not mature enough). The blade is blunt. 	<ul style="list-style-type: none"> Press the pusher harder. Sharpen the blade.
<ul style="list-style-type: none"> Slices disintegrate into several pieces; they are not sliced cleanly. 	<ul style="list-style-type: none"> Worn blade. 	<ul style="list-style-type: none"> Replace the blade



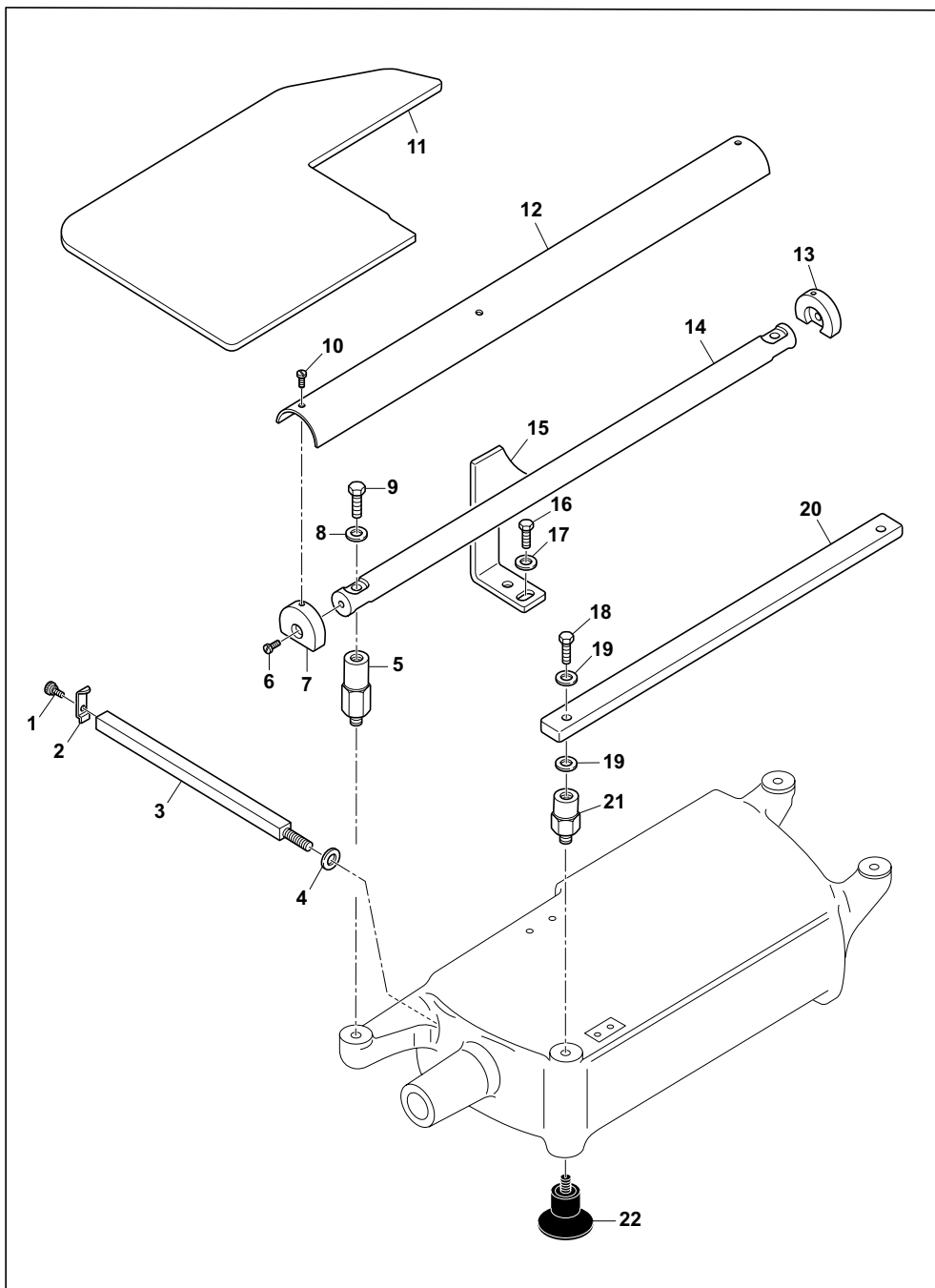
Spare parts EN

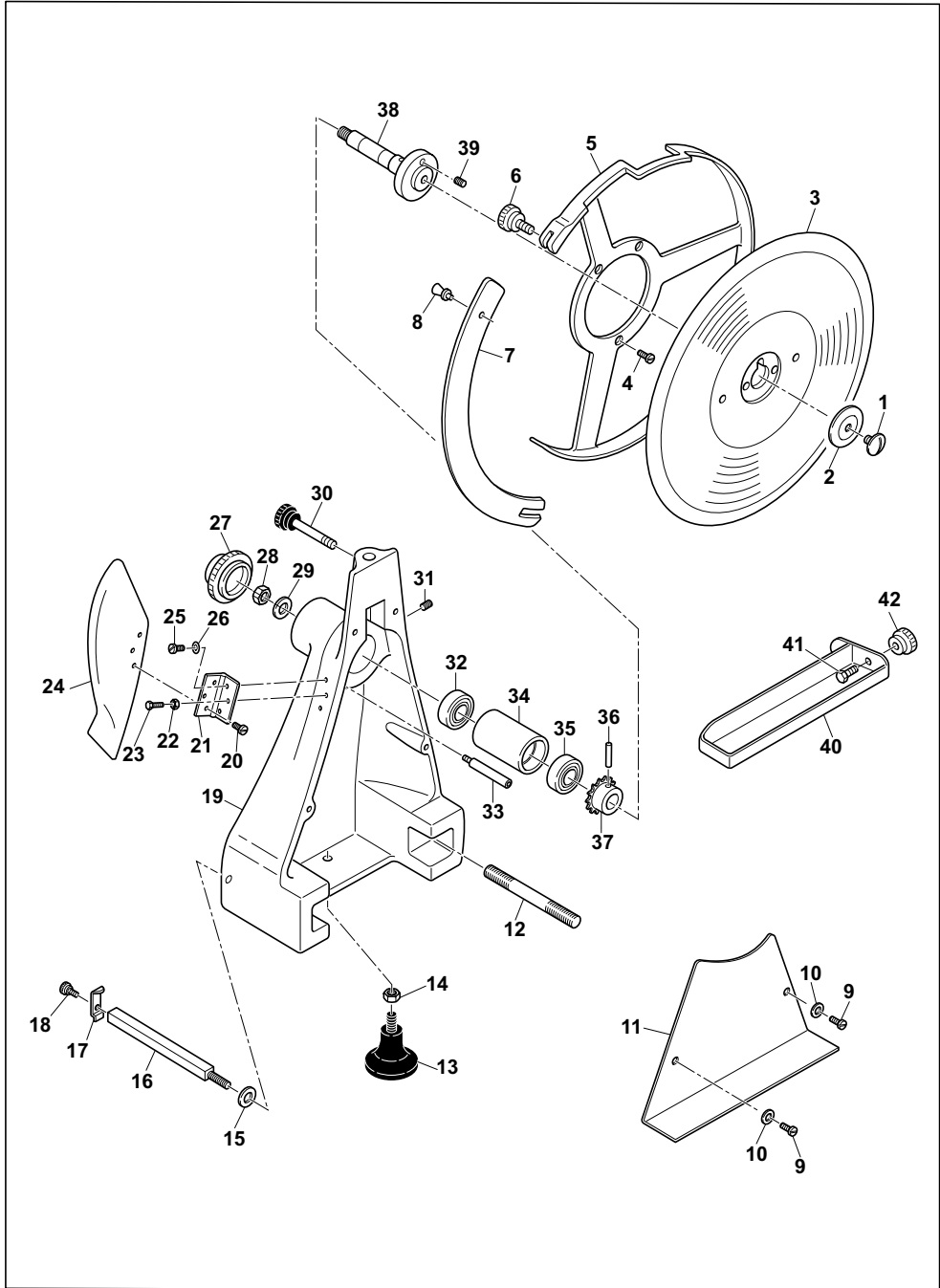


CARRIAGE GUIDE RAILS

Fig. 2

Ed. 05/2012

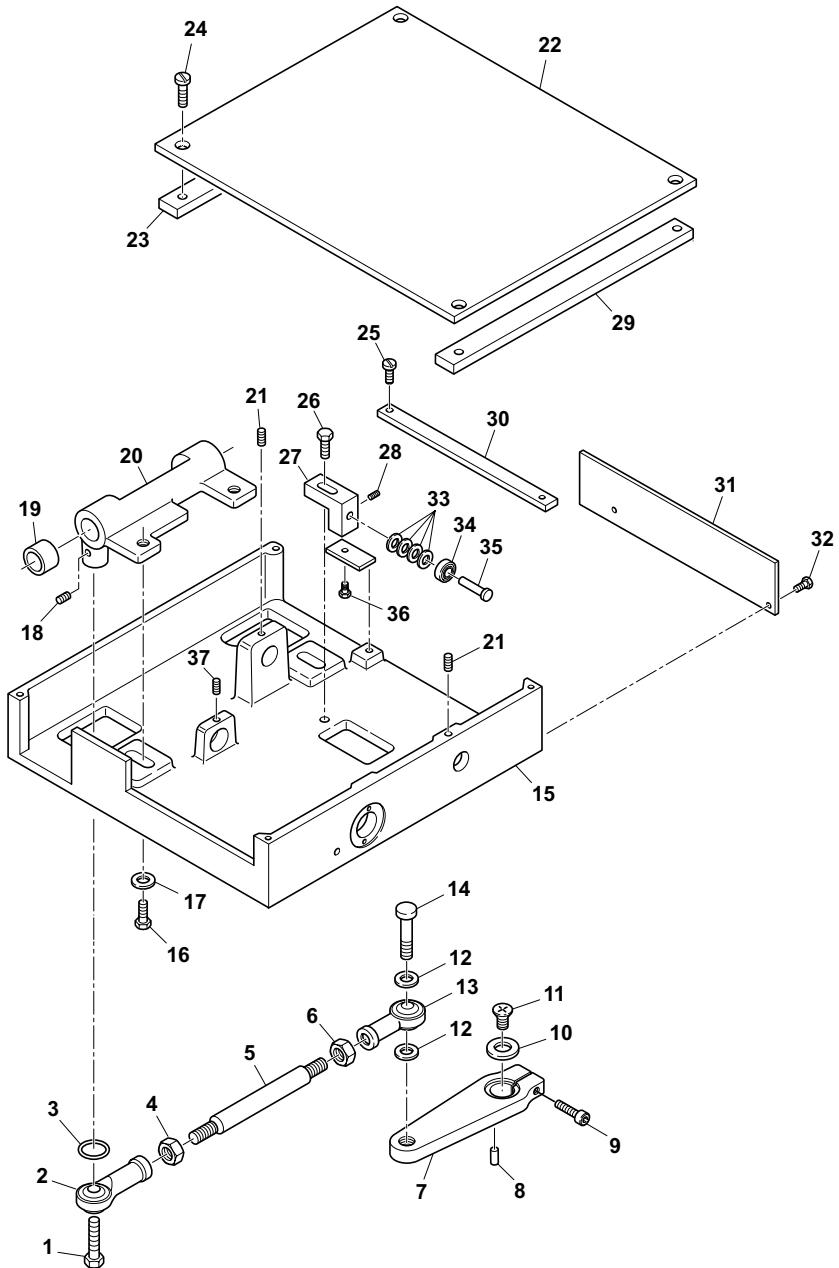




CARRIAGE

Fig. 4

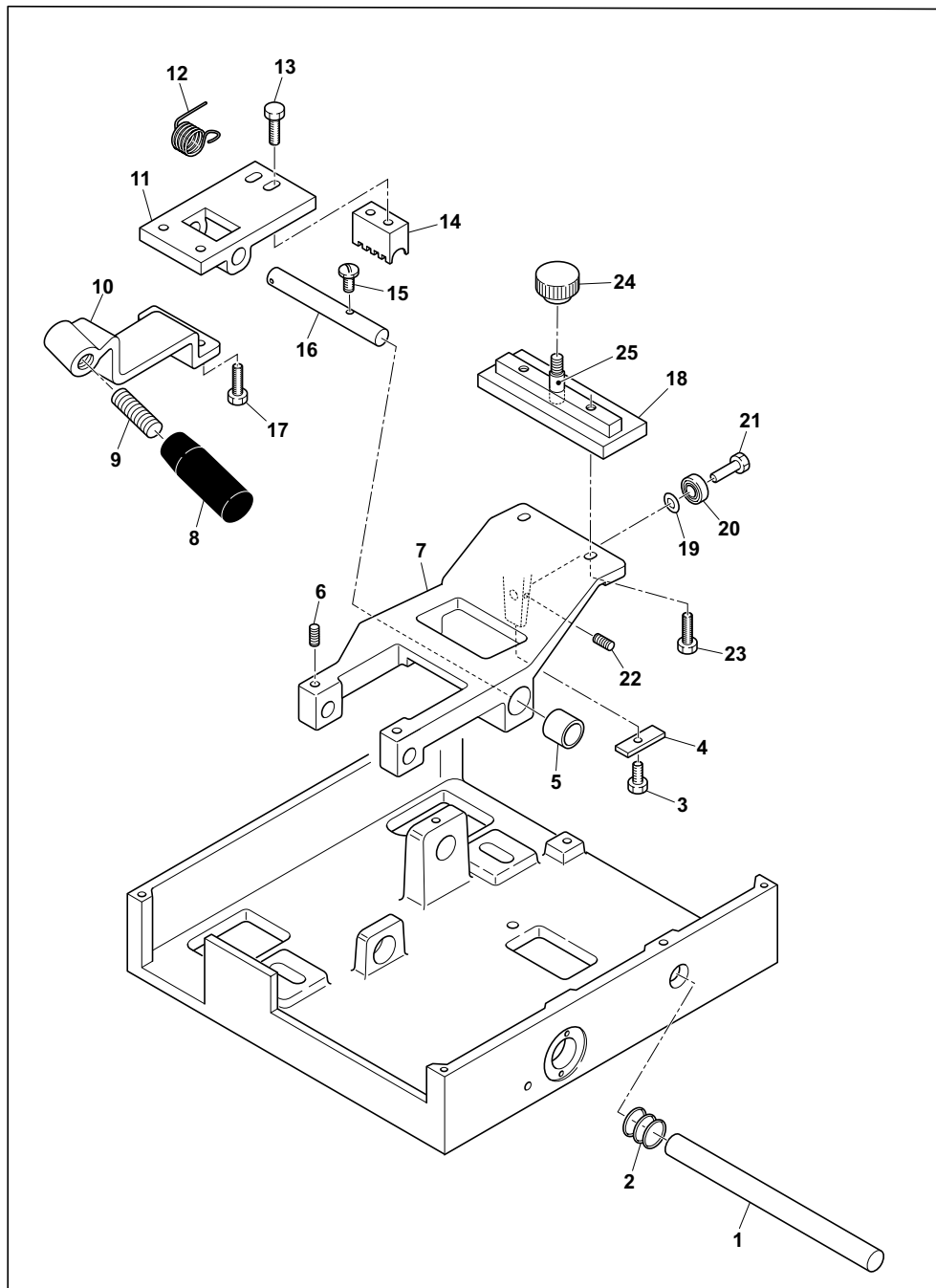
Ed. 05/2012



THICKNESS CONTROL

Fig. 5

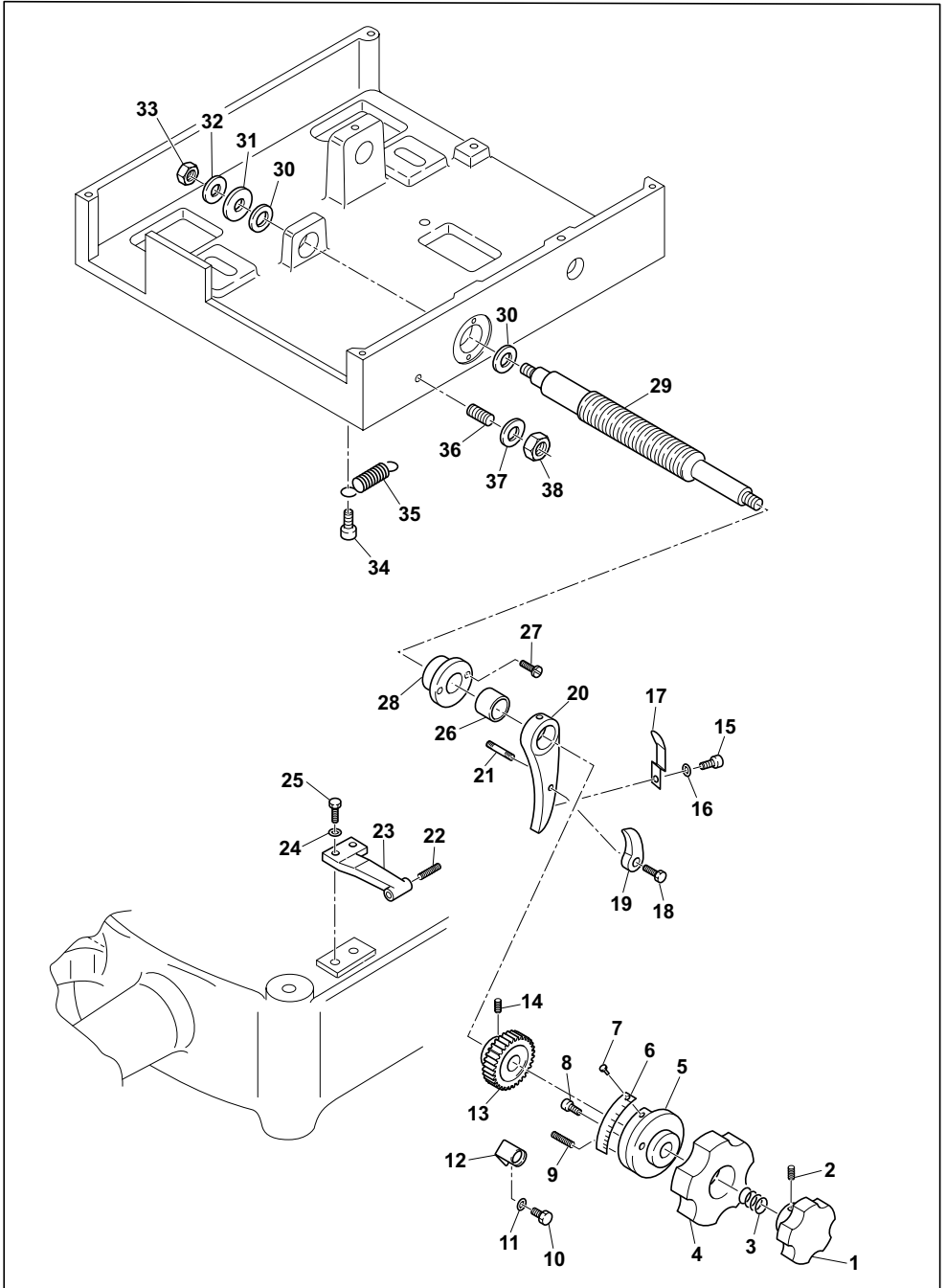
Ed. 05/2012



FLYWHEEL

Fig. 6

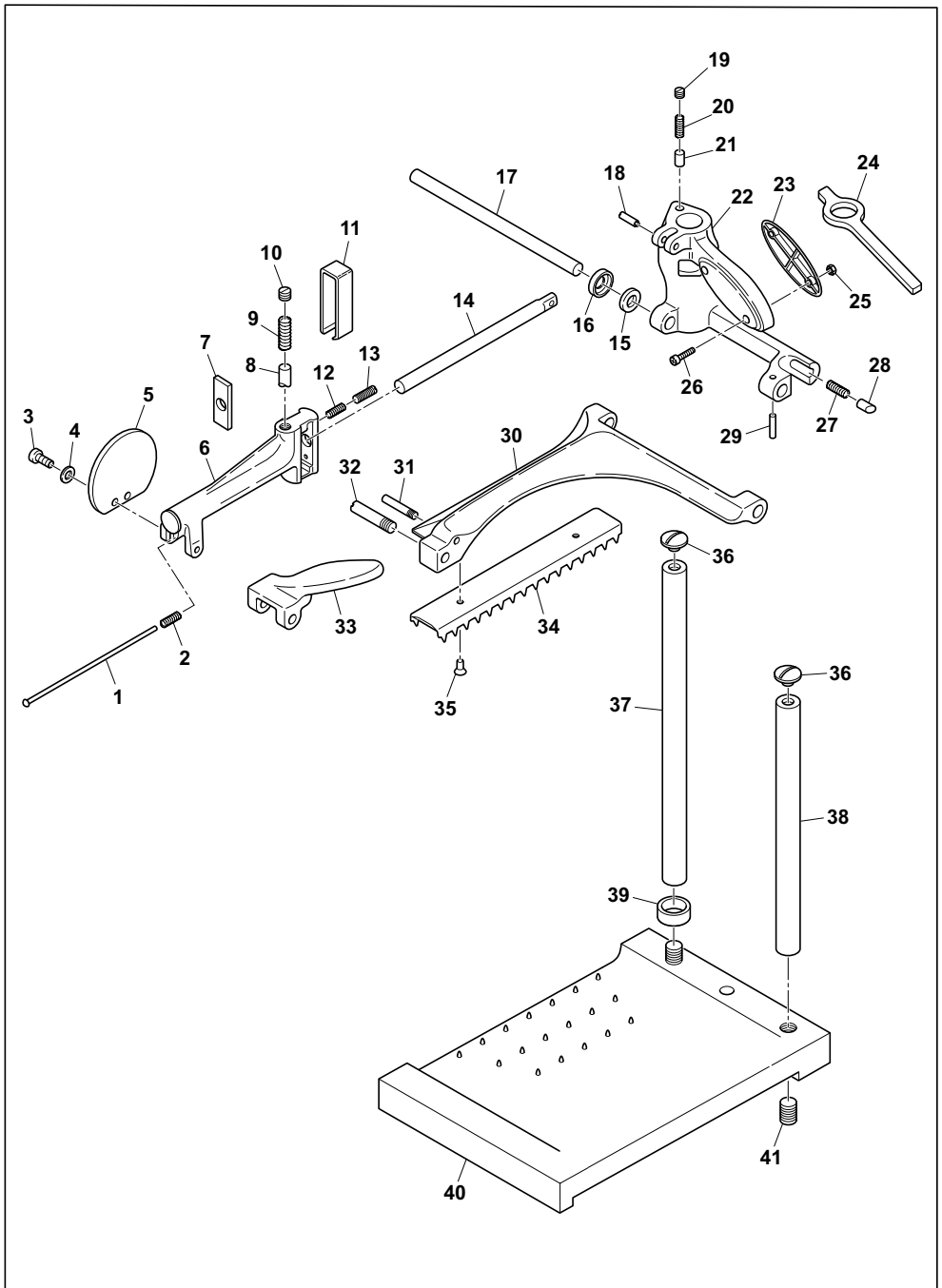
Ed. 05/2012

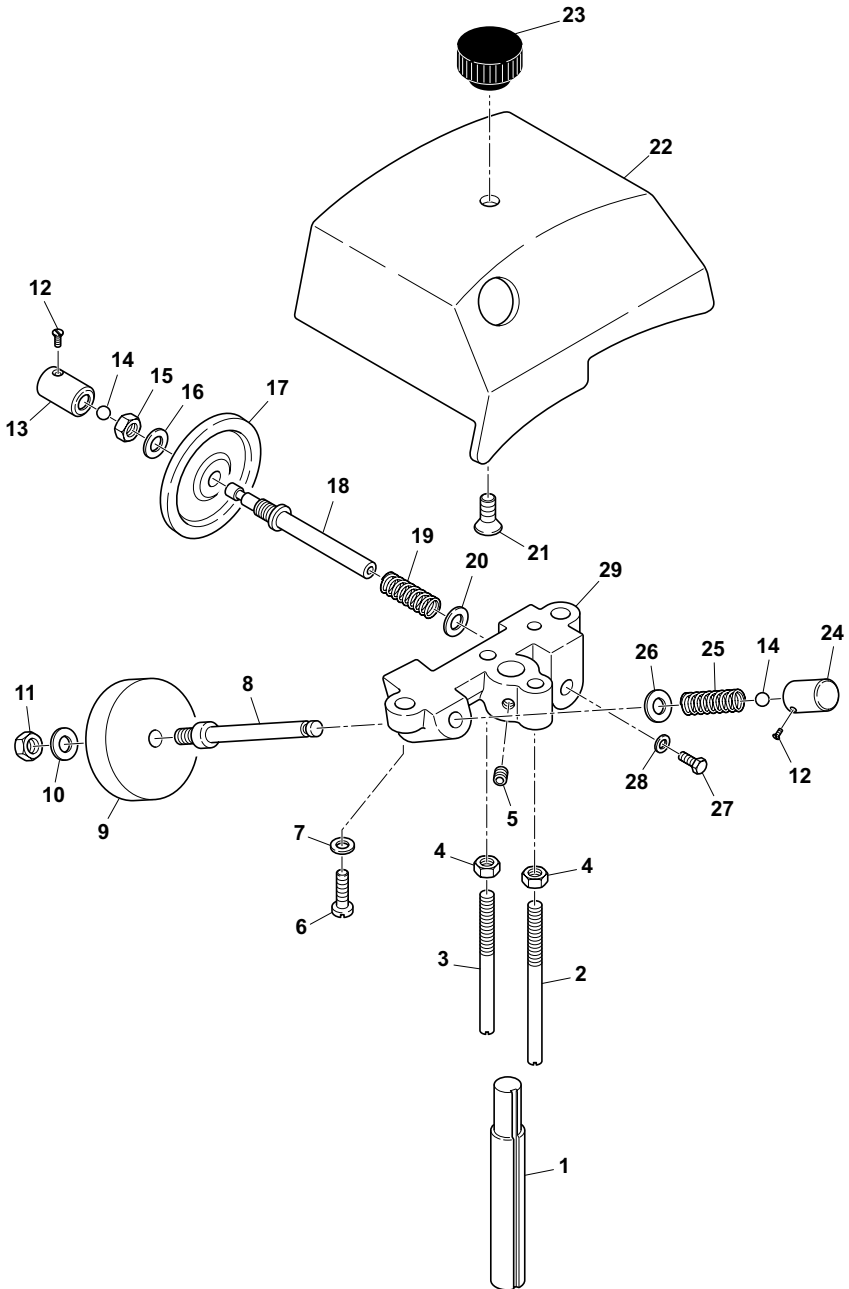


PRODUCT HOLDER

Fig. 7

Ed. 05/2012





GUIDE TO THE TREATMENT OF WASTE EQUIPMENT

Disposal

This product complied with Directive 2002/19/UE.



The crossed out wheeled bin symbol on equipment indicates that it must be treated separately from household waste at the end of its working life and therefore taken to a recycling facility for electrical and electronic equipment or handed over to the reseller when purchasing new equipment of the same type.

The user is responsible for consigning the equipment to appropriate collection facilities at the end of its working life or face the penalties provided for by current waste management legislation.

Separate collection for subsequent delivery of waste equipment to environmentally-compatible recycling, treatment and disposal facilities to prevent possible negative impacts on the environment and human health whilst encouraging recycling of the product's components.

For further information regarding the available collection facilities, please contact your local refuse collection service or the shop in which the purchase was made.

Manufacturers and/or importers fulfil their obligations concerning environmentally-compatible recycling, treatment and disposal either directly or by joining a collective scheme.